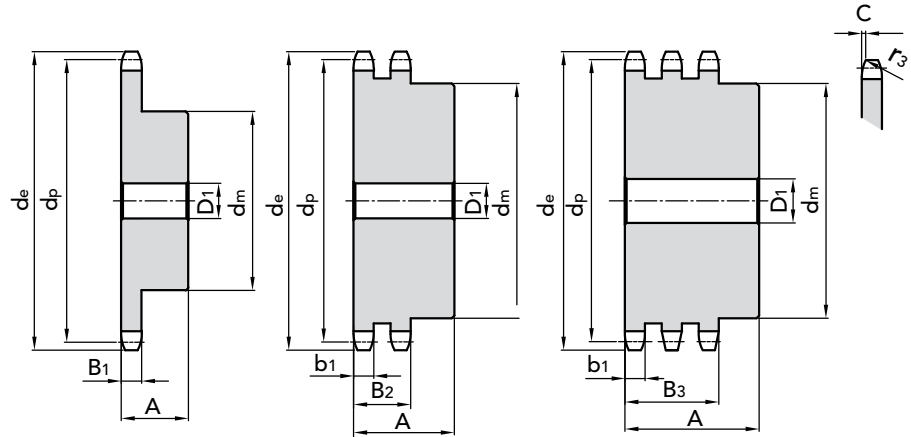



2" x 1" 1/4
CHAIN SPROCKETS

Tooth radius r_s	51	mm
Radius width \bar{C}	5	mm
Sprockets tooth width B_1	29,4	mm
Sprockets tooth width b_1	28,8	mm
Sprockets tooth width B_2	87,4	mm
Sprockets tooth width B_3	146	mm

CHAIN

Pitch	50,8	mm
Inner width	30,99	mm
Roller \varnothing	29,21	mm



Z	d_e	d_p	SIMPLES					DOUBLE				TRIPLE					
			PART NUMBER	d_m	D_1	A	kg.	PART NUMBER	d_m	D_1	A	kg.	PART NUMBER	d_m	D_1	A	kg.
8	153,20	132,69	10150008	82	25	80	4,20	10250008	82	30	120	6,65	10350008	82	30	180	9,90
9	169,00	148,54	10150009	88	25	80	5,78	10250009	88	30	120	9,14	10350009	88	30	180	13,65
10	185,00	164,44	10150010	104	25	80	7,60	10250010	104	30	120	12,01	10350010	104	30	180	17,97
11	200,80	180,34	10150011	120	30	80	9,26	10250011	120	30	120	14,75	10350011	120	30	180	22,22
12	216,80	196,29	10150012	133	30	80	10,91	10250012	133	30	120	17,95	10350012	133	30	180	27,23
13	232,80	212,29	10150013	145	30	80	13,05	10250013	145	30	120	21,68	10350013	145	30	180	32,98
14	248,80	228,29	10150014	160	30	80	14,25	10250014	160	30	120	25,03	10350014	160	30	180	38,50
15	264,80	244,30	10150015	160	30	80	15,53	10250015	160	30	120	29,30	10350015	160	30	180	45,04
16	280,90	260,40	10150016	160	30	90	19,87	10250016	160	30	120	33,21	10350016	160	30	180	51,50
17	296,90	276,40	10150017	170	30	90	21,35	10250017	180	30	120	38,76	10350017	180	30	180	61,45
18	313,00	292,55	10150018	170	30	90	22,92	10250018	180	30	120	43,24	10350018	180	30	180	68,85
19	329,10	308,66	10150019	170	30	90	24,53	10250019	200	30	120	49,52	10350019	200	30	180	76,73
20	345,20	324,71	10150020	180	30	90	28,50	10250020	200	30	120	54,56	10350020	200	30	180	85,07
21	361,30	340,82	10150021	180	30	90	30,36	10250021	200	30	120	59,87	10350021	200	40	180	93,89
22	377,50	356,98	10150022	180	30	90	32,31	10250022	200	30	120	65,47					
23	393,60	373,08	10150023	180	30	90	34,36	10250023	200	30	120	71,35	10350023	200	40	180	112,93
24	409,70	389,18	10150024	180	30	90	36,50	10250024	200	30	120	77,52					
25	425,80	405,33	10150025	180	30	90	38,74	10250025	200	30	120	83,66	10350025	200	40	180	133,86
26	441,90	421,44	10150026	180	30	90	41,07	10250026	200	30	120	90,69					
27	458,10	437,69	10150027	180	30	90	46,01	10250027	200	30	120	98,50					
28	474,20	453,69	10150028	180	30	90	46,01	10250028	200	30	120	104,99					
29																	
30	506,50	486,00	10150030	180	30	90	51,34	10250030	200	30	120	120,41	10350030	200	40	180	194,42
32	538,80	518,28	10150032	180	30	90	59,89										
35	589,50	566,72	10150035	180	30	90	69,16	10250035	200	30	120	163,85					
38	635,50	615,14	10150038	180	30	90	79,28	10250038	200	40	120	193,33	10350038	200	40	180	316,22
40	670,30	647,49	10150040	180	30	90	86,50	10250040	200	40	120	214,39					
45	751,00	728,26	10150045	180	40	100	118,87	10250045	200	40	120	282,32	10350045	200	40	180	456,64
50	831,80	809,04	10150050	180	40	100	140,96	10250050	200	40	120	346,95	10350050	200	40	180	564,27
57	945,00	922,17	10150057	180	40	100	175,86	10250057	220	40	120	449,27	10350057	250	40	180	734,72
60	993,40	970,63	10150060	180	40	100	192,24										
76	1.252,0	1.229,28	10150076	200	40	110	294,00	10250076	250	40	130	796,60	10350076	250	40	190	1319,64

MATERIAL **C 45 UNI 7845**
FOR MONOLITHIC CHAIN SPROCKETS

MATERIAL **FE**
FOR CHAIN SPROCKETS WITH WELDED HUB

CAD drawings available on our site
www.chiaravalli.com

Quantity, availability and prices
on B2B Chiaravalli





PLATEWHEELS 2" x 1" 1/4
for roller chains in compliance
with DIN 8187 - ISO/R 606

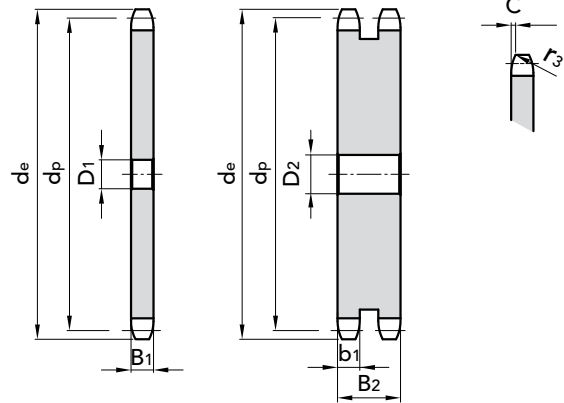
2" x 1" 1/4

PLATEWHEEL

Tooth radius r_3	51	mm
Radius width \bar{C}	5	mm
Plate tooth width B_1	29,4	mm
Plate tooth width b_1	28,8	mm
Plate tooth width B_2	87,4	mm
Plate tooth width B_3	146	mm

CHAIN

Pitch	50,8	mm
Inner width	30,99	mm
Roller \varnothing	29,21	mm



SIMPLE

Z	D ₁	d _e	d _p	P. NUMBER	kg.
8	25	153,2	132,69	20150008	2,27
9	25	169,0	148,54	20150009	2,99
10	25	185,0	164,44	20150010	3,81
11	30	200,8	180,34	20150011	4,67
12	30	216,8	196,29	20150012	5,67
13	30	232,8	212,29	20150013	6,77
14	30	248,8	228,29	20150014	7,97
15	30	264,8	244,30	20150015	9,26
16	30	280,9	260,40	20150016	10,64
17	30	296,9	276,40	20150017	12,12
18	30	313,0	292,55	20150018	13,69
19	30	329,1	308,66	20150019	15,36
20	30	345,2	324,71	20150020	16,99
21	30	361,3	340,82	20150021	18,85
22	30	377,5	356,98	20150022	20,80
23	30	393,6	373,08	20150023	22,85
24	30	409,7	389,18	20150024	24,99
25	30	425,8	405,33	20150025	27,23
26	30	441,9	421,44	20150026	29,56
27					
28	30	474,2	453,69	20150028	34,51
29					
30	30	506,5	486,00	20150030	39,84
32	30	538,8	518,28	20150032	45,54
35	30	589,5	566,72	20150035	54,81
38	30	635,5	615,14	20150038	64,93
40	40	670,3	647,49	20150040	72,16
45	40	751,0	728,26	20150045	91,87
50	40	831,8	809,04	20144050	113,96
57	40	945,0	922,17	20144057	148,86
60	40	993,4	970,63	20144060	165,24
76	40	1252,0	1229,28	20144076	267,00

DOUBLE

Z	D ₁	d _e	d _p	P. NUMBER	kg.
8	25	153,20	132,69	20250008	5,53
9	25	169,00	148,54	20250009	7,46
10	25	185,00	164,44	20250010	9,68
11	30	200,80	180,34	20250011	11,86
12	30	216,80	196,29	20250012	14,64
13	30	232,80	212,29	20250013	17,70
14	30	248,80	228,29	20250014	21,05
15	30	264,80	244,30	20250015	24,68
16	30	280,90	260,40	20250016	28,38
17	30	296,90	276,40	20250017	32,57
18	30	313,00	292,55	20250018	37,05
19	30	329,10	308,66	20250019	41,80
20	30	345,20	324,71	20250020	46,84
21	30	361,30	340,82	20250021	52,15
22	30	377,50	356,98	20250022	57,75
23	30	393,60	373,08	20250023	63,63
24	30	409,70	389,18	20250024	69,80
25	30	425,80	405,33	20250025	76,24
26	30	441,90	421,44	20250026	82,97
27					
28	30	474,20	453,69	20250028	97,27
29					
30	40	506,50	486,00	20250030	112,70
32					
35	40	589,50	566,72	20250035	156,19
38	40	635,50	615,14	20250038	185,67
40	40	670,30	647,49	20250040	206,73
45	40	751,00	728,26	20250045	265,32
50	40	831,80	809,04	20250050	328,95
57	40	945,00	922,17	20250057	431,27
60	40	993,40	970,63	20250060	474,00
76	40	1252,00	1229,28	20250076	757,78

MATERIAL **FE / C45**

Ask for specific needs.

CAD drawings available on our site
www.chiaravalli.com

Quantity, availability and prices
on B2B Chiaravalli





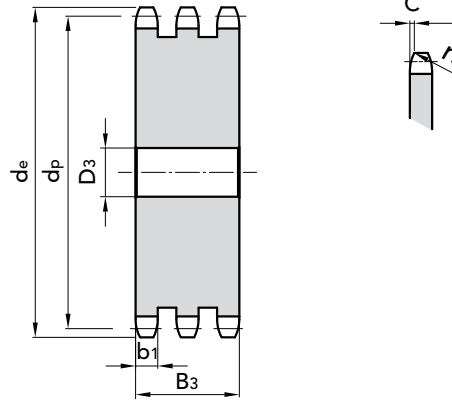
2" x 1" 1/4

PLATEWHEEL

Tooth radius r_3	51	mm
Radius width C	5	mm
Plate tooth width B_1	29,4	mm
Plate tooth width b_1	28,8	mm
Plate tooth width B_2	87,4	mm
Plate tooth width B_3	146	mm

CHAIN

Pitch	50,8	mm
Inner width	30,99	mm
Roller \varnothing	29,21	mm



PLATEWHEELS 2" x 1" 1/4
for roller chains in compliance
with DIN 8187 - ISO/R 606

TRIPLE

Z D₁ d_e d_p P. NUMBER kg.

Z	D ₁	d _e	d _p	P. NUMBER	kg.
8	25	153,2	132,69	20350008	8,83
9	25	169,0	148,54	20350009	11,99
10	25	185,0	164,44	20350010	15,63
11	30	200,8	180,34	20350011	19,20
12	30	216,8	196,29	20350012	23,78
13	30	232,8	212,29	20350013	28,83
14	30	248,8	228,29	20350014	34,35
15	30	264,8	244,30	20350015	40,34
16	30	280,9	260,40	20350016	46,47
17	30	296,9	276,40	20350017	53,40
18	30	313,0	292,55	20350018	60,80
19	30	329,1	308,66	20350019	68,68
20	30	345,2	324,71	20350020	77,02
21	40	361,3	340,82	20350021	85,84
22					
23	40	393,6	373,08	20350023	104,88
24					
25	40	425,8	405,33	20350025	125,81
26					
27					
28					
29					
30	40	506,5	486,00	20350030	186,37
32					
35	40	589,5	566,72	20350035	258,69
38	40	635,5	615,14	20350038	307,73
40					
45	40	751,0	728,26	20350045	438,64
50	40	831,8	809,04	20350050	549,27
57	40	945,0	922,17	20350057	716,72
60	40	993,4	970,63	20350060	1006,0
76	40	1252,0	1229,28	20350076	1295,64

MATERIAL **FE / C45**
Ask for specific needs.

CAD drawings available on our site
www.chiaravalli.com

Quantity, availability and prices
on B2B Chiaravalli

