



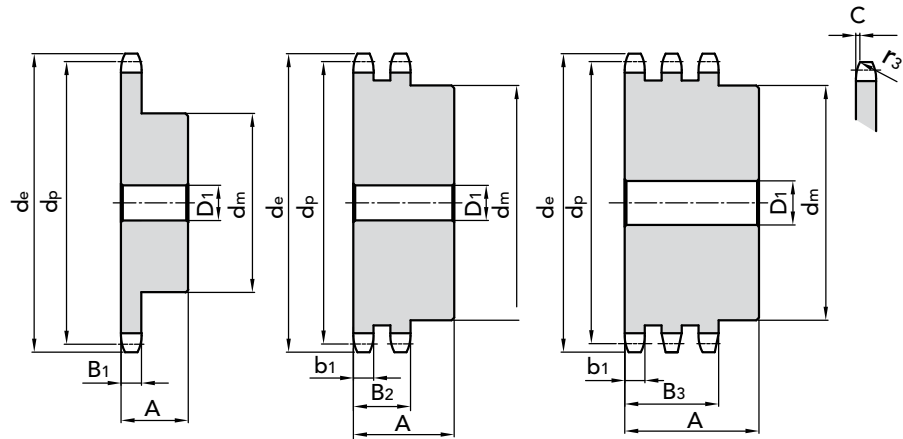
## 1" 3/4 x 1" 1/4

### CHAIN SPROCKETS

|                             |      |    |
|-----------------------------|------|----|
| Tooth radius $r_3$          | 44   | mm |
| Radius width $\bar{C}$      | 5    | mm |
| Sprockets tooth width $B_1$ | 29,4 | mm |
| Sprockets tooth width $b_1$ | 28,8 | mm |
| Sprockets tooth width $B_2$ | 88,4 | mm |
| Sprockets tooth width $B_3$ | 148  | mm |

### CHAIN

|                      |       |    |
|----------------------|-------|----|
| Pitch                | 44,45 | mm |
| Inner width          | 30,99 | mm |
| Roller $\varnothing$ | 27,94 | mm |



#### SIMPLES

#### DOUBLE

#### TRIPLE

| Z  | d <sub>e</sub> | d <sub>p</sub> | PART NUMBER | d <sub>m</sub> | D <sub>1</sub> | A   | kg.    | PART NUMBER | d <sub>m</sub> | D <sub>1</sub> | A   | kg.    | PART NUMBER | d <sub>m</sub> | D <sub>1</sub> | A   | kg.     |
|----|----------------|----------------|-------------|----------------|----------------|-----|--------|-------------|----------------|----------------|-----|--------|-------------|----------------|----------------|-----|---------|
| 8  | 132,00         | 116,15         | 10144008    | 74             | 25             | 70  | 2,86   | 10244008    | 74             | 25             | 120 | 4,75   | 10344008    | 74             | 30             | 180 | 7,04    |
| 9  | 148,40         | 129,96         | 10144009    | 88             | 25             | 70  | 4,00   | 10244009    | 88             | 25             | 120 | 6,66   | 10344009    | 88             | 30             | 180 | 9,89    |
| 10 | 162,30         | 143,85         | 10144010    | 100            | 25             | 70  | 5,18   | 10244010    | 100            | 25             | 120 | 8,79   | 10344010    | 100            | 30             | 180 | 13,10   |
| 11 | 176,30         | 157,77         | 10144011    | 112            | 25             | 70  | 6,51   | 10244011    | 112            | 25             | 120 | 11,79  | 10344011    | 112            | 30             | 180 | 16,73   |
| 12 | 189,50         | 171,74         | 10144012    | 125            | 25             | 70  | 8,04   | 10244012    | 125            | 25             | 120 | 13,91  | 10344012    | 125            | 30             | 180 | 20,84   |
| 13 | 204,20         | 185,75         | 10144013    | 130            | 25             | 70  | 8,88   | 10244013    | 130            | 25             | 120 | 16,25  | 10344013    | 130            | 30             | 180 | 24,70   |
| 14 | 218,20         | 199,76         | 10144014    | 140            | 25             | 70  | 9,79   | 10244014    | 140            | 25             | 120 | 18,81  | 10344014    | 140            | 30             | 180 | 28,93   |
| 15 | 232,30         | 213,79         | 10144015    | 145            | 25             | 70  | 10,77  | 10244015    | 145            | 25             | 120 | 22,64  | 10344015    | 145            | 30             | 180 | 34,58   |
| 16 | 246,30         | 227,84         | 10144016    | 160            | 30             | 75  | 14,96  | 10244016    | 160            | 25             | 120 | 26,52  | 10344016    | 160            | 30             | 180 | 40,44   |
| 17 | 260,00         | 241,91         | 10144017    | 160            | 30             | 75  | 16,09  | 10244017    | 160            | 30             | 120 | 29,74  | 10344017    | 160            | 30             | 180 | 45,77   |
| 18 | 274,00         | 255,98         | 10144018    | 160            | 30             | 75  | 17,28  | 10244018    | 160            | 30             | 120 | 33,17  | 10344018    | 160            | 30             | 180 | 51,76   |
| 19 | 289,00         | 270,06         | 10144019    | 160            | 30             | 75  | 18,56  | 10244019    | 180            | 30             | 120 | 38,14  | 10344019    | 180            | 30             | 180 | 58,07   |
| 20 | 303,00         | 284,15         | 10144020    | 160            | 30             | 75  | 19,90  | 10244020    | 180            | 30             | 120 | 42,02  | 10344020    | 180            | 30             | 180 | 64,49   |
| 21 | 317,00         | 298,24         | 10144021    | 170            | 30             | 75  | 21,31  | 10244021    | 180            | 30             | 120 | 49,10  | 10344021    | 180            | 30             | 180 | 71,28   |
| 22 | 331,00         | 312,34         | 10144022    | 170            | 30             | 75  | 22,80  | 10244022    | 180            | 30             | 120 | 50,40  |             |                |                |     |         |
| 23 | 345,00         | 326,44         | 10144023    | 170            | 30             | 75  | 24,36  | 10244023    | 180            | 30             | 120 | 54,92  | 10344023    | 180            | 30             | 180 | 85,94   |
| 24 | 359,00         | 340,55         | 10144024    | 170            | 30             | 75  | 26,00  | 10244024    | 180            | 30             | 120 | 59,50  |             |                |                |     |         |
| 25 | 373,00         | 354,66         | 10144025    | 170            | 30             | 75  | 27,70  | 10244025    | 180            | 30             | 120 | 64,62  | 10344025    | 180            | 40             | 180 | 112,07  |
| 26 | 387,00         | 368,77         | 10144026    | 170            | 30             | 75  | 29,48  | 10244026    | 180            | 30             | 120 | 69,28  |             |                |                |     |         |
| 27 | 401,40         | 382,88         | 10144027    | 170            | 30             | 75  | 31,36  |             |                |                |     |        |             |                |                |     |         |
| 28 | 416,00         | 397,00         | 10144028    | 170            | 30             | 75  | 33,26  | 10244028    | 180            | 30             | 120 | 80,28  |             |                |                |     |         |
| 29 |                |                |             |                |                |     |        |             |                |                |     |        |             |                |                |     |         |
| 30 | 444,00         | 425,24         | 10144030    | 170            | 30             | 75  | 37,33  | 10244030    | 180            | 30             | 120 | 92,17  | 10344030    | 180            | 40             | 180 | 148,79  |
| 31 |                |                |             |                |                |     |        |             |                |                |     |        |             |                |                |     |         |
| 32 | 472,00         | 453,49         | 10144032    | 180            | 30             | 75  | 43,59  |             |                |                |     |        |             |                |                |     |         |
| 33 |                |                |             |                |                |     |        |             |                |                |     |        |             |                |                |     |         |
| 34 | 500,00         | 481,75         | 10144034    | 180            | 30             | 75  | 48,24  |             |                |                |     |        |             |                |                |     |         |
| 35 | 514,00         | 495,88         | 10144035    | 180            | 30             | 75  | 50,57  | 10244035    | 200            | 30             | 120 | 127,17 |             |                |                |     |         |
| 36 | 529,00         | 510,01         | 10144036    | 180            | 30             | 75  | 53,18  |             |                |                |     |        |             |                |                |     |         |
| 37 |                |                |             |                |                |     |        |             |                |                |     |        |             |                |                |     |         |
| 38 | 557,00         | 538,27         | 10144038    | 180            | 30             | 75  | 58,40  | 10244038    | 200            | 30             | 120 | 149,9  | 10344038    | 200            | 40             | 180 | 244,01  |
| 39 |                |                |             |                |                |     |        |             |                |                |     |        |             |                |                |     |         |
| 40 | 585,00         | 566,54         | 10144040    | 180            | 30             | 75  | 63,92  | 10244040    | 200            | 30             | 120 | 167,15 | 10344040    | 200            | 40             | 180 | 271,10  |
| 45 | 656,00         | 637,22         | 10144045    | 180            | 30             | 90  | 79,12  | 10244045    | 200            | 30             | 120 | 218,10 | 10344045    | 200            | 40             | 180 | 352,63  |
| 50 | 726,00         | 707,91         | 10144050    | 180            | 30             | 90  | 96,00  | 10244050    | 200            | 30             | 120 | 267,99 | 10344057    | 220            | 40             | 180 | 567,76  |
| 57 | 825,00         | 806,90         | 10144057    | 180            | 40             | 90  | 125,13 | 10244057    | 200            | 40             | 120 | 346,99 | 10344076    | 250            | 40             | 190 | 1024,97 |
| 60 | 869,00         | 849,32         | 10144060    | 180            | 40             | 90  | 144,00 |             |                |                |     |        |             |                |                |     |         |
| 76 | 1.095,0        | 1.075,62       | 10144076    | 200            | 40             | 100 | 215,46 | 10244076    | 250            | 40             | 130 | 615,35 |             |                |                |     |         |

MATERIAL **C 45 UNI 7845**  
FOR MONOLITHIC CHAIN SPROCKETS

MATERIAL **FE**  
FOR CHAIN SPROCKETS WITH WELDED HUB

CAD drawings available on our site  
[www.chiaravalli.com](http://www.chiaravalli.com)

Quantity, availability and prices  
on B2B Chiaravalli



CHAIN SPROCKETS 1" 3/4 x 1" 1/4 for roller chains in compliance with DIN 8187 - ISO/R 606



**PLATEWHEELS 1" 3/4 x 1" 1/4**  
for roller chains in compliance  
with DIN 8187 - ISO/R 606

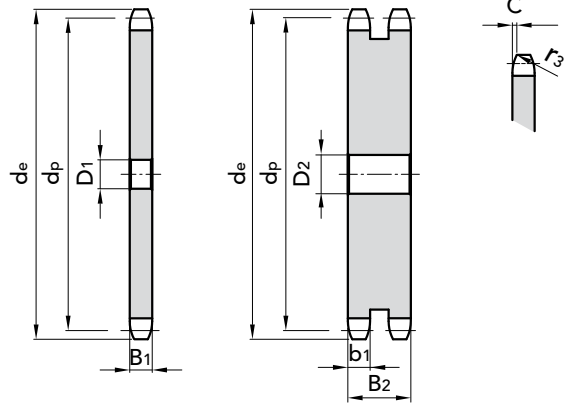
## 1" 3/4 x 1" 1/4

### PLATEWHEEL

|                         |      |    |
|-------------------------|------|----|
| Tooth radius $r_3$      | 44   | mm |
| Radius width $\bar{C}$  | 5    | mm |
| Plate tooth width $B_1$ | 29,4 | mm |
| Plate tooth width $b_1$ | 28,8 | mm |
| Plate tooth width $B_2$ | 88,4 | mm |
| Plate tooth width $B_3$ | 148  | mm |

### CHAIN

|                      |       |    |
|----------------------|-------|----|
| Pitch                | 44,45 | mm |
| Inner width          | 30,99 | mm |
| Roller $\varnothing$ | 27,94 | mm |



### SIMPLE

### DOUBLE

| Z  | D <sub>1</sub> | d <sub>e</sub> | d <sub>p</sub> | P. NUMBER | kg.    | Z  | D <sub>1</sub> | d <sub>e</sub> | d <sub>p</sub> | P. NUMBER | kg.    | Z  | D <sub>1</sub> | d <sub>e</sub> | d <sub>p</sub> | P. NUMBER | kg.    | Z  | D <sub>1</sub> | d <sub>e</sub> | d <sub>p</sub> | P. NUMBER | kg.    |
|----|----------------|----------------|----------------|-----------|--------|----|----------------|----------------|----------------|-----------|--------|----|----------------|----------------|----------------|-----------|--------|----|----------------|----------------|----------------|-----------|--------|
| 8  | 25             | 132,0          | 116,15         | 20144008  | 1,71   | 60 | 40             | 869,0          | 849,32         | 20144060  | 126,08 | 8  | 25             | 132,00         | 116,15         | 20244008  | 4,01   | 60 | 40             | 869,00         | 849,32         | 20244060  | 365,00 |
| 9  | 25             | 148,4          | 129,96         | 20144009  | 2,26   | 76 | 40             | 1095,5         | 1075,62        | 20144076  | 203,89 | 9  | 25             | 148,40         | 129,96         | 20244009  | 5,48   | 76 | 40             | 1095,50        | 1075,62        | 20244076  | 600,35 |
| 10 | 25             | 162,3          | 143,85         | 20144010  | 2,88   |    |                |                |                |           |        | 10 | 25             | 162,3          | 143,85         | 20244010  | 7,17   |    |                |                |                |           |        |
| 11 | 25             | 176,3          | 157,77         | 20144011  | 3,53   |    |                |                |                |           |        | 11 | 25             | 176,30         | 157,77         | 20244011  | 8,92   |    |                |                |                |           |        |
| 12 | 25             | 189,5          | 171,74         | 20144012  | 4,29   |    |                |                |                |           |        | 12 | 25             | 189,50         | 171,74         | 20244012  | 11,04  |    |                |                |                |           |        |
| 13 | 25             | 204,2          | 185,75         | 20144013  | 5,12   |    |                |                |                |           |        | 13 | 25             | 204,20         | 185,75         | 20244013  | 13,38  |    |                |                |                |           |        |
| 14 | 25             | 218,2          | 199,76         | 20144014  | 6,03   |    |                |                |                |           |        | 14 | 25             | 218,20         | 199,76         | 20244014  | 15,94  |    |                |                |                |           |        |
| 15 | 25             | 232,3          | 213,79         | 20144015  | 7,01   |    |                |                |                |           |        | 15 | 25             | 232,30         | 213,79         | 20244015  | 18,72  |    |                |                |                |           |        |
| 16 | 30             | 246,3          | 227,84         | 20144016  | 8,02   |    |                |                |                |           |        | 16 | 30             | 246,30         | 227,84         | 20244016  | 21,71  |    |                |                |                |           |        |
| 17 | 30             | 260,0          | 241,91         | 20144017  | 9,14   |    |                |                |                |           |        | 17 | 30             | 260,00         | 241,91         | 20244017  | 24,92  |    |                |                |                |           |        |
| 18 | 30             | 274,0          | 255,98         | 20144018  | 10,34  |    |                |                |                |           |        | 18 | 30             | 274,00         | 255,98         | 20244018  | 28,36  |    |                |                |                |           |        |
| 19 | 30             | 289,0          | 270,06         | 20144019  | 11,61  |    |                |                |                |           |        | 19 | 30             | 289,00         | 270,06         | 20244019  | 32,00  |    |                |                |                |           |        |
| 20 | 30             | 303,0          | 284,15         | 20144020  | 12,95  |    |                |                |                |           |        | 20 | 30             | 303,00         | 284,15         | 20244020  | 35,87  |    |                |                |                |           |        |
| 21 | 30             | 317,0          | 298,24         | 20144021  | 14,37  |    |                |                |                |           |        | 21 | 30             | 317,00         | 298,24         | 20244021  | 39,96  |    |                |                |                |           |        |
| 22 | 30             | 331,0          | 312,34         | 20144022  | 15,86  |    |                |                |                |           |        | 22 | 30             | 331,00         | 312,34         | 20244022  | 44,26  |    |                |                |                |           |        |
| 23 | 30             | 345,0          | 326,44         | 20144023  | 17,42  |    |                |                |                |           |        | 23 | 30             | 345,00         | 326,44         | 20244023  | 48,78  |    |                |                |                |           |        |
| 24 | 30             | 359,0          | 340,55         | 20144024  | 19,05  |    |                |                |                |           |        | 24 | 30             | 359,00         | 340,55         | 20244024  | 52,85  |    |                |                |                |           |        |
| 25 | 30             | 373,0          | 354,66         | 20144025  | 20,76  |    |                |                |                |           |        | 25 | 30             | 373,00         | 354,66         | 20244025  | 58,50  |    |                |                |                |           |        |
| 26 | 30             | 387,0          | 368,77         | 20144026  | 22,54  |    |                |                |                |           |        | 26 | 30             | 387,00         | 368,77         | 20244026  | 63,28  |    |                |                |                |           |        |
| 27 | 30             | 401,4          | 382,88         | 20144027  | 24,39  |    |                |                |                |           |        | 27 |                |                |                |           |        |    |                |                |                |           |        |
| 28 | 30             | 416,0          | 397,00         | 20144028  | 26,32  |    |                |                |                |           |        | 28 | 30             | 416,00         | 397,00         | 20244028  | 74,29  |    |                |                |                |           |        |
| 29 |                |                |                |           |        |    |                |                |                |           |        | 29 |                |                |                |           |        |    |                |                |                |           |        |
| 30 | 30             | 444,0          | 425,24         | 20144030  | 30,38  |    |                |                |                |           |        | 30 | 30             | 444,00         | 425,24         | 20244030  | 86,17  |    |                |                |                |           |        |
| 31 |                |                |                |           |        |    |                |                |                |           |        | 31 |                |                |                |           |        |    |                |                |                |           |        |
| 32 | 30             | 472,0          | 453,49         | 20144032  | 34,74  |    |                |                |                |           |        | 32 |                |                |                |           |        |    |                |                |                |           |        |
| 33 |                |                |                |           |        |    |                |                |                |           |        | 33 |                |                |                |           |        |    |                |                |                |           |        |
| 34 | 30             | 500,0          | 481,75         | 20144034  | 39,38  |    |                |                |                |           |        | 34 |                |                |                |           |        |    |                |                |                |           |        |
| 35 | 30             | 514,0          | 495,88         | 20144035  | 41,82  |    |                |                |                |           |        | 35 | 30             | 514,00         | 495,88         | 20244035  | 119,69 |    |                |                |                |           |        |
| 36 | 30             | 529,0          | 510,01         | 20144036  | 44,32  |    |                |                |                |           |        | 36 |                |                |                |           |        |    |                |                |                |           |        |
| 37 | 30             | 543,0          | 524,14         | 20144037  | 45,00  |    |                |                |                |           |        | 37 |                |                |                |           |        |    |                |                |                |           |        |
| 38 | 30             | 557,0          | 538,27         | 20144038  | 49,55  |    |                |                |                |           |        | 38 | 30             | 557,00         | 538,27         | 20244038  | 142,42 |    |                |                |                |           |        |
| 39 |                |                |                |           |        |    |                |                |                |           |        | 39 |                |                |                |           |        |    |                |                |                |           |        |
| 40 | 30             | 585,0          | 566,54         | 20144040  | 55,07  |    |                |                |                |           |        | 40 | 30             | 585,00         | 566,54         | 20244040  | 158,67 |    |                |                |                |           |        |
| 45 | 30             | 656,0          | 637,22         | 20144045  | 70,13  |    |                |                |                |           |        | 45 | 30             | 656,00         | 637,22         | 20244045  | 203,10 |    |                |                |                |           |        |
| 50 | 30             | 726,0          | 707,91         | 20144050  | 87,01  |    |                |                |                |           |        | 50 | 30             | 726,00         | 707,91         | 20244050  | 252,99 |    |                |                |                |           |        |
| 57 | 40             | 825,0          | 806,90         | 20144057  | 113,56 |    |                |                |                |           |        | 57 | 40             | 825,00         | 806,90         | 20244057  | 332,00 |    |                |                |                |           |        |

MATERIAL **FE / C45**

Ask for specific needs.

CAD drawings available on our site  
[www.chiaravalli.com](http://www.chiaravalli.com)

Quantity, availability and prices  
on B2B Chiaravalli





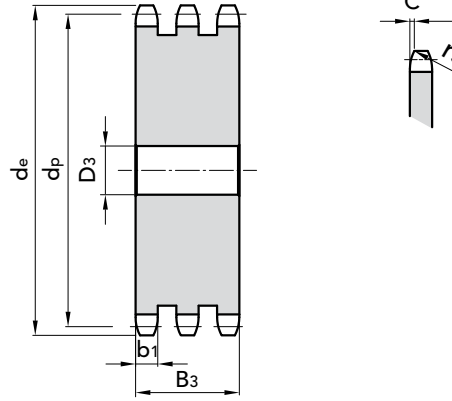
## 1" 3/4 x 1" 1/4

### PLATEWHEEL

|                         |      |    |
|-------------------------|------|----|
| Tooth radius $r_3$      | 44   | mm |
| Radius width $C$        | 5    | mm |
| Plate tooth width $B_1$ | 29,4 | mm |
| Plate tooth width $b_1$ | 28,8 | mm |
| Plate tooth width $B_2$ | 88,4 | mm |
| Plate tooth width $B_3$ | 148  | mm |

### CHAIN

|                      |       |    |
|----------------------|-------|----|
| Pitch                | 44,45 | mm |
| Inner width          | 30,99 | mm |
| Roller $\varnothing$ | 27,94 | mm |



**PLATEWHEELS 1" 3/4 x 1" 1/4**  
for roller chains in compliance  
with DIN 8187 - ISO/R 606

### TRIPLE

| Z  | D <sub>1</sub> | d <sub>e</sub> | d <sub>p</sub> | P. NUMBER | kg.    | Z  | D <sub>1</sub> | d <sub>e</sub> | d <sub>p</sub> | P. NUMBER | kg.     |
|----|----------------|----------------|----------------|-----------|--------|----|----------------|----------------|----------------|-----------|---------|
| 8  | 25             | 132,0          | 116,15         | 20344008  | 6,39   | 60 |                |                |                |           |         |
| 9  | 25             | 148,4          | 129,96         | 20344009  | 8,80   | 76 | 40             | 1095,5         | 1075,62        | 20344076  | 1000,97 |
| 10 | 25             | 162,3          | 143,85         | 20344010  | 11,56  |    |                |                |                |           |         |
| 11 | 30             | 176,3          | 157,77         | 20344011  | 14,44  |    |                |                |                |           |         |
| 12 | 30             | 189,5          | 171,74         | 20344012  | 17,93  |    |                |                |                |           |         |
| 13 | 30             | 204,2          | 185,75         | 20344013  | 21,79  |    |                |                |                |           |         |
| 14 | 30             | 218,2          | 199,76         | 20344014  | 26,02  |    |                |                |                |           |         |
| 15 | 30             | 232,3          | 213,79         | 20344015  | 30,61  |    |                |                |                |           |         |
| 16 | 30             | 246,3          | 227,84         | 20344016  | 35,57  |    |                |                |                |           |         |
| 17 | 30             | 260,0          | 241,91         | 20344017  | 40,89  |    |                |                |                |           |         |
| 18 | 30             | 274,0          | 255,98         | 20344018  | 46,58  |    |                |                |                |           |         |
| 19 | 30             | 289,0          | 270,06         | 20344019  | 52,64  |    |                |                |                |           |         |
| 20 | 30             | 303,0          | 284,15         | 20344020  | 59,06  |    |                |                |                |           |         |
| 21 | 30             | 317,0          | 298,24         | 20344021  | 65,20  |    |                |                |                |           |         |
| 22 |                |                |                |           |        |    |                |                |                |           |         |
| 23 | 30             | 345,0          | 326,44         | 20344023  | 79,87  |    |                |                |                |           |         |
| 24 |                |                |                |           |        |    |                |                |                |           |         |
| 25 | 40             | 373,0          | 354,66         | 20344025  | 95,99  |    |                |                |                |           |         |
| 26 |                |                |                |           |        |    |                |                |                |           |         |
| 27 |                |                |                |           |        |    |                |                |                |           |         |
| 28 |                |                |                |           |        |    |                |                |                |           |         |
| 29 |                |                |                |           |        |    |                |                |                |           |         |
| 30 | 40             | 444,0          | 425,24         | 20344030  | 142,70 |    |                |                |                |           |         |
| 31 |                |                |                |           |        |    |                |                |                |           |         |
| 32 |                |                |                |           |        |    |                |                |                |           |         |
| 33 |                |                |                |           |        |    |                |                |                |           |         |
| 34 |                |                |                |           |        |    |                |                |                |           |         |
| 35 |                |                |                |           |        |    |                |                |                |           |         |
| 36 |                |                |                |           |        |    |                |                |                |           |         |
| 37 |                |                |                |           |        |    |                |                |                |           |         |
| 38 | 40             | 557,0          | 538,27         | 20344038  | 236,43 |    |                |                |                |           |         |
| 39 |                |                |                |           |        |    |                |                |                |           |         |
| 40 | 40             | 585,0          | 566,54         | 20344040  | 263,52 |    |                |                |                |           |         |
| 45 | 40             | 656,0          | 637,22         | 20344045  | 337,73 |    |                |                |                |           |         |
| 50 |                |                |                |           |        |    |                |                |                |           |         |
| 57 | 40             | 825,0          | 806,90         | 20344057  | 552,76 |    |                |                |                |           |         |

MATERIAL **FE / C45**

Ask for specific needs.

CAD drawings available on our site  
[www.chiaravalli.com](http://www.chiaravalli.com)

Quantity, availability and prices  
on B2B Chiaravalli

