



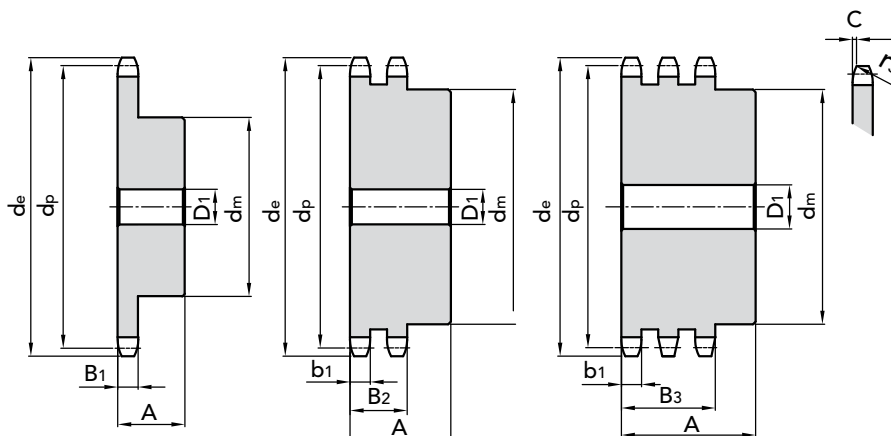
1" 1/4 x 3/4"

CHAIN SPROCKETS

Tooth radius r_3	32	mm
Radius width \bar{C}	3,5	mm
Sprockets tooth width B_1	18,5	mm
Sprockets tooth width b_1	18,2	mm
Sprockets tooth width B_2	54,6	mm
Sprockets tooth width B_3	91	mm

CHAIN

Pitch	31,75	mm
Inner width	19,56	mm
Roller \varnothing	19,05	mm



SIMPLES

DOUBLE

TRIPLE

Z	d_e	d_p	PART NUMBER	d_m	D_1	A	kg.	PART NUMBER	d_m	D_1	A	kg.	PART NUMBER	d_m	D_1	A	kg.
8	98,10	82,96	10131008	53	20	40	0,85	10231008	53	20	75	1,58	10331008	53	20	110	2,15
9	108,00	92,84	10131009	63	20	40	1,19	10231009	63	20	75	2,19	10331009	63	20	110	3,05
10	117,90	102,74	10131010	70	20	40	1,51	10231010	70	20	75	2,85	10331010	70	20	110	4,04
11	127,80	112,68	10131011	77	20	45	2,05	10231011	80	20	80	3,72	10331011	80	20	115	5,19
12	137,80	122,68	10131012	88	20	45	2,60	10231012	90	20	80	4,66	10331012	90	20	115	6,55
13	147,80	132,65	10131013	98	20	45	3,15	10231013	100	20	80	5,70	10331013	100	20	115	8,06
14	157,80	142,68	10131014	108	20	45	3,80	10231014	110	20	80	6,84	10331014	110	20	115	9,71
15	167,90	152,72	10131015	118	20	45	4,47	10231015	120	20	80	8,08	10331015	120	20	115	11,50
16	177,90	162,75	10131016	120	25	50	5,25	10231016	120	25	80	8,90	10331016	120	25	115	13,06
17	187,90	172,78	10131017	120	25	50	5,60	10231017	120	25	80	9,92	10331017	120	25	115	14,65
18	198,00	182,85	10131018	120	25	50	6,00	10231018	120	25	80	11,00	10331018	120	25	115	16,54
19	208,10	192,91	10131019	120	25	50	6,40	10231019	120	25	80	12,16	10331019	120	25	115	18,45
20	218,10	202,98	10131020	120	25	50	6,85	10231020	120	25	80	13,38	10331020	120	25	115	20,48
21	228,20	213,04	10131021	140	25	55	8,75	10231021	140	25	80	15,49	10331021	140	25	115	23,38
22	238,30	223,11	10131022	140	25	55	9,30	10231022	140	25	80	16,86	10331022	140	25	115	25,64
23	248,30	233,17	10131023	140	25	55	9,77	10231023	140	25	80	18,29	10331023	140	25	115	28,00
24	258,40	243,23	10131024	140	25	55	10,30	10231024	140	25	80	19,79	10331024	140	25	115	30,49
25	268,50	253,33	10131025	140	25	55	10,80	10231025	140	25	80	21,36	10331025	140	25	115	33,09
26	278,60	263,40	10131026	150	25	55	12,09	10231026	150	25	80	23,45	10331026	150	25	115	36,23
27	288,60	273,40	10131027	150	25	55	12,65	10231027	150	25	80	25,15	10331027	150	25	115	39,06
28	298,70	283,56	10131028	150	25	55	13,29	10231028	150	25	80	26,93	10331028	150	25	115	42,00
29	308,80	293,65	10131029	150	25	55	13,93	10231029	150	25	80	28,77	10331029	150	25	115	45,00
30	318,90	303,75	10131030	150	25	55	14,60	10231030	150	25	80	30,69	10331030	150	25	115	48,23
31	329,00	313,85	10131031	160	25	55	15,28	10231031	150	25	80	32,67	10331031	150	25	115	51,50
32	339,10	323,91	10131032	160	25	55	16,00	10231032	150	25	80	32,72	10331032	150	30	115	54,61
33	349,20	334,01	10131033	160	25	55	16,70	10231033	150	25	80	35,00	10331033	150	30	115	58,37
34	359,30	344,10	10131034	160	25	55	17,49	10231034	150	25	80	39,03	10331034	150	30	115	62,06
35	369,40	354,20	10131035	160	25	55	18,30	10231035	150	25	80	41,28	10331035	150	30	115	65,80
36	379,50	364,30	10131036	160	25	55	19,10	10231036	150	30	80	43,61	10331036	150	30	115	69,66
37	389,50	374,39	10131037	160	25	55	19,90						10331037	150	30	115	73,00
38	399,60	384,49	10131038	160	25	55	20,75	10231038	150	30	80	48,46	10331038	150	30	115	77,72
39	409,70	394,59	10131039	160	25	55	21,70	10231039	150	30	80	51,00					
40	419,80	404,68	10131040	160	25	55	22,53	10231040	150	30	80	53,60	10331040	150	30	115	86,24
42	440,00	424,88	10131042	160	30	70	28,84										
45	470,30	455,17	10131045	160	30	70	31,79	10231045	160	30	90	71,32	10331045	180	40	115	110,41
48	500,60	485,46	10131048	160	30	70	32,80										
50	520,80	505,65	10131050	160	30	70	35,00	10231050	160	30	90	87,08	10331050	180	40	115	136,59
57	591,50	576,36	10131057	160	30	80	37,21	10231057	160	30	100	116,28	10331057	180	40	125	181,21
60	621,80	606,65	10131060	160	30	80	45,79										
76	783,50	768,32	10131076	160	30	90	75,81	10231076	180	30	100	200,96	10331076	200	40	140	322,03

MATERIAL **C 45 UNI 7845**
FOR MONOLITHIC CHAIN SPROCKETS

MATERIAL **FE**
FOR CHAIN SPROCKETS WITH WELDED HUB

CAD drawings available on our site
www.chiaravalli.com

Quantity, availability and prices
on B2B Chiaravalli





PLATEWHEELS 1" 1/4 x 3/4"
for roller chains in compliance
with DIN 8187 - ISO/R 606

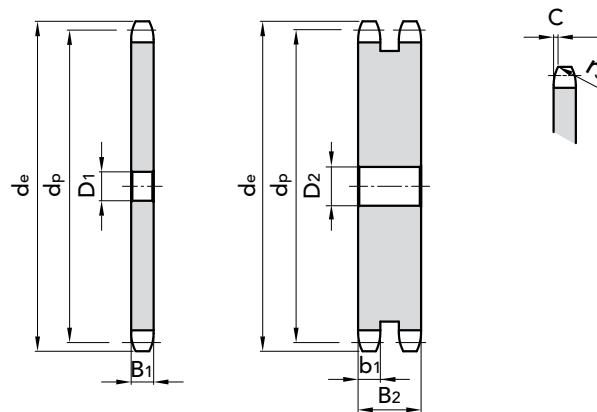
1" 1/4 x 3/4"

PLATEWHEEL

Tooth radius r_3	32	mm
Radius width \bar{C}	3,5	mm
Plate tooth width B_1	18,5	mm
Plate tooth width b_1	18,2	mm
Plate tooth width B_2	54,6	mm
Plate tooth width B_3	91	mm

CHAIN

Pitch	31,75	mm
Inner width	19,56	mm
Roller \varnothing	19,05	mm



SIMPLE

Z	D ₁	d _e	d _p	P. NUMBER	kg.
8	16	98,10	82,96	20131008	0,55
9	16	108,0	92,84	20131009	0,73
10	16	117,9	102,74	20131010	0,93
11	16	127,8	112,68	20131011	1,13
12	20	137,8	122,68	20131012	1,38
13	20	147,8	132,65	20131013	1,65
14	20	157,8	142,68	20131014	1,94
15	20	167,9	152,72	20131015	2,26
16	25	177,9	162,75	20131016	2,60
17	25	187,9	172,78	20131017	2,96
18	25	198,0	182,85	20131018	3,34
19	25	208,1	192,91	20131019	3,75
20	25	218,1	202,98	20131020	4,19
21	25	228,2	213,04	20131021	4,62
22	25	238,3	223,11	20131022	5,09
23	25	248,3	233,17	20131023	5,60
24	25	258,4	243,23	20131024	6,18
25	25	268,5	253,33	20131025	6,67
26	25	278,6	263,40	20131026	7,21
27	25	288,6	273,40	20131027	7,81
28	25	298,7	283,56	20131028	8,43
29	25	308,8	293,65	20131029	9,07
30	25	318,9	303,75	20131030	9,73
31	25	329,0	313,85	20131031	19,42
32	25	339,1	323,91	20131032	11,13
33	25	349,2	334,01	20131033	11,87
34	25	359,3	344,10	20131034	12,63
35	25	369,4	354,20	20131035	13,41
36	25	379,5	364,30	20131036	14,22
37	25	389,5	374,39	20131037	15,04
38	25	399,6	384,49	20131038	15,90
39	25	409,7	394,59	20131039	16,77
40	25	419,8	404,68	20131040	17,67
41	30	429,9	414,78	20131041	18,59
42	30	440,0	424,88	20131042	19,54
43	30	450,1	434,97	20131043	20,50

DOUBLE

Z	D ₁	d _e	d _p	P. NUMBER	kg.
8	20	98,10	82,96	20231008	1,28
9	20	108,00	92,84	20231009	1,74
10	20	117,90	102,74	20231010	2,28
11	20	127,80	112,68	20231011	2,89
12	20	137,80	122,68	20231012	3,56
13	20	147,80	132,65	20231013	4,31
14	20	157,80	142,68	20231014	5,12
15	20	167,90	152,72	20231015	6,00
16	25	177,90	162,75	20231016	6,78
17	25	187,90	172,78	20231017	7,80
18	25	198,00	182,85	20231018	8,89
19	25	208,10	192,91	20231019	10,05
20	25	218,10	202,98	20231020	11,27
21	25	228,20	213,04	20231021	12,56
22	25	238,30	223,11	20231022	13,93
23	25	248,30	233,17	20231023	15,36
24	25	258,40	243,23	20231024	16,86
25	25	268,50	253,33	20231025	18,43
26	25	278,60	263,40	20231026	20,07
27	25	288,60	273,40	20231027	21,77
28	25	298,70	283,56	20231028	23,56
29	25	308,80	293,65	20231029	25,39
30	25	318,90	303,75	20231030	27,30
31	25	329,00	313,85	20231031	29,29
32	25	339,10	323,91	20231032	31,34
33					
34	25	359,30	344,10	20231034	35,64
35	25	369,40	354,20	20231035	37,90
36					
37					
38	30	399,60	384,49	20231038	45,08
39					
40	30	419,80	404,68	20231040	50,21
41					
42	30	440,00	424,88	20231042	55,62
43					

MATERIAL **FE / C45**

Ask for specific needs.

CAD drawings available on our site
www.chiaravalli.com

Quantity, availability and prices
on B2B Chiaravalli





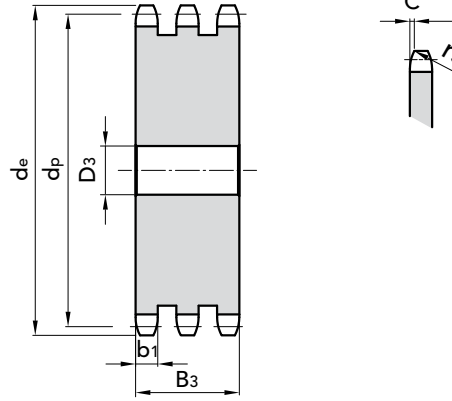
1" 1/4 x 3/4"

PLATEWHEEL

Tooth radius r_3	32	mm
Radius width C	3,5	mm
Plate tooth width B_1	18,5	mm
Plate tooth width b_1	18,2	mm
Plate tooth width B_2	54,6	mm
Plate tooth width B_3	91	mm

CHAIN

Pitch	31,75	mm
Inner width	19,56	mm
Roller \varnothing	19,05	mm



PLATEWHEELS 1" 1/4 x 3/4"
for roller chains in compliance
with DIN 8187 - ISO/R 606

TRIPLE

Z	D ₁	d _e	d _p	P. NUMBER	kg.	Z	D ₁	d _e	d _p	P. NUMBER	kg.
8	20	98,10	82,96	20331008	2,02	44					
9	20	108,0	92,84	20331009	2,79	45	40	470,3	455,17	20331045	105,96
10	20	117,9	102,74	20331010	3,77	46					
11	20	127,8	112,68	20331011	4,53	48					
12	20	137,8	122,68	20331012	5,64	50	40	520,8	505,65	20331050	132,13
13	20	147,8	132,65	20331013	4,87	51					
14	20	157,8	142,68	20331014	8,20	52					
15	20	167,9	152,72	20331015	9,65	54					
16	25	177,9	162,75	20331016	11,07	55	40	571,3	556,16	20331055	161,16
17	25	187,9	172,78	20331017	12,75	56					
18	25	198,0	182,85	20331018	14,54	57	40	591,5	576,36	20331057	173,58
19	25	208,1	192,91	20331019	16,45	58					
20	25	218,1	202,98	20331020	18,47	60	40	621,8	606,65	20331060	193,06
21	25	228,2	213,04	20331021	20,62	64					
22	25	238,3	223,11	20331022	22,87	65	40	672,3	657,16	20331065	227,83
23	25	248,3	233,17	20331023	25,24	70	40	722,8	707,67	20331070	265,46
24	25	258,4	243,23	20331024	27,72	75					
25	25	268,5	253,33	20331025	30,32	76	40	783,5	768,32	20331076	314,39
26	25	278,6	263,40	20331026	33,03	80	40	823,9	808,72	20331080	340,0
27	25	288,6	273,40	20331027	35,86	85					
28	25	298,7	283,56	20331028	38,80	90					
29						95	40	975,4	960,28	20331095	420,0
30	25	318,9	303,75	20331030	45,03	100					
31						114	40	1167,4	1152,26	20331114	720,16
32	25	339,1	323,91	20331032	51,72						
33	25	349,2	334,01	20331033	55,17						
34	25	359,3	344,10	20331034	58,86						
35	25	369,4	354,20	20331035	62,60						
36	30	379,5	364,30	20331036	66,46						
37	30	389,5	374,39	20331037	70,37						
38	30	399,6	384,49	20331038	74,52						
39											
40	30	419,8	404,68	20331040	83,04						
41											
42											
43											

MATERIAL **FE / C45**
Ask for specific needs.

CAD drawings available on our site
www.chiaravalli.com

Quantity, availability and prices
on B2B Chiaravalli

