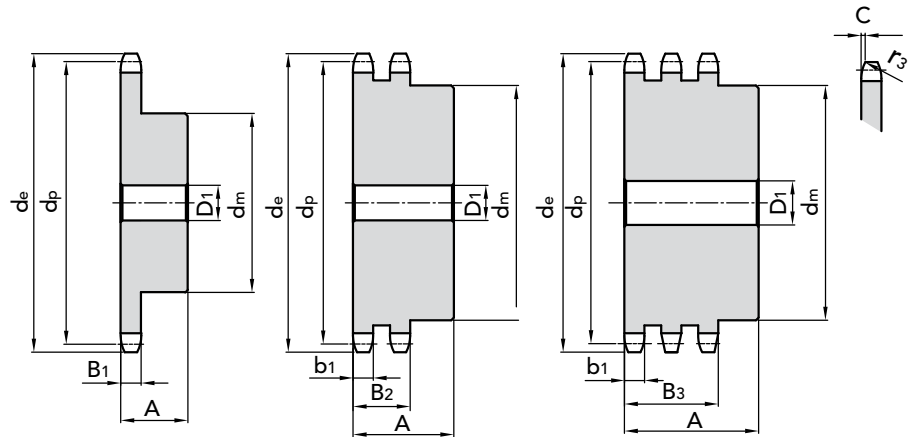



1" x 17.02 mm
CHAIN SPROCKETS

Tooth radius r_3	26	mm
Radius width $\overset{\circ}{C}$	2,5	mm
Sprockets tooth width B_1	16,2	mm
Sprockets tooth width b_1	15,8	mm
Sprockets tooth width B_2	47,7	mm
Sprockets tooth width B_3	79,6	mm

CHAIN

Pitch	25,4	mm
Inner width	17,02	mm
Roller \varnothing	15,88	mm



Z	d_e	d_p	SIMPLES				DOUBLE				TRIPLE						
			PART NUMBER	d_m	D_1	A	kg.	PART NUMBER	d_m	D_1	A	kg.	PART NUMBER	d_m	D_1	A	kg.
8	77,49	66,37	10125008	42	16	35	0,47	10225008	42	16	65	0,81	10325008	42	20	95	1,19
9	85,38	74,26	10125009	50	16	35	0,66	10225009	50	16	65	1,15	10325009	50	20	95	1,68
10	93,32	82,20	10125010	55	16	35	0,83	10225010	56	16	65	1,52	10325010	56	20	95	2,24
11	101,28	90,16	10125011	61	16	40	1,14	10225011	64	20	70	2,08	10325011	64	25	100	2,86
12	109,26	98,14	10125012	69	16	40	1,43	10225012	72	20	70	2,60	10325012	72	25	100	3,62
13	117,26	106,14	10125013	78	16	40	1,77	10225013	80	20	70	3,18	10325013	80	25	100	4,45
14	125,27	114,15	10125014	84	16	40	2,08	10225014	88	20	70	3,82	10325014	88	25	100	5,37
15	133,29	122,17	10125015	92	20	40	2,46	10225015	96	20	70	4,51	10325015	96	25	100	6,37
16	141,32	130,20	10125016	100	20	45	3,14	10225016	104	20	70	5,17	10325016	104	30	100	7,45
17	149,35	138,23	10125017	100	20	45	3,33	10225017	112	20	70	5,98	10325017	112	30	100	8,60
18	157,39	146,27	10125018	100	20	45	3,56	10225018	120	20	70	6,84	10325018	120	30	100	9,84
19	165,44	154,32	10125019	100	20	45	3,78	10225019	128	20	70	7,76	10325019	128	30	100	11,16
20	173,49	162,37	10125020	100	20	45	4,03	10225020	130	20	70	8,52	10325020	130	30	100	12,36
21	181,54	170,42	10125021	110	20	50	5,01	10225021	130	25	70	9,24	10325021	130	30	100	13,56
22	189,60	178,48	10125022	110	20	50	5,28	10225022	130	25	70	10,00	10325022	130	30	100	14,82
23	197,66	186,54	10125023	110	20	50	5,56	10225023	130	25	70	10,8	10325023	130	30	100	16,15
24	205,72	194,60	10125024	110	20	50	5,86	10225024	130	25	70	11,64	10325024	130	30	100	17,53
25	213,78	202,66	10125025	110	20	50	6,16	10225025	130	25	70	12,52	10325025	130	30	100	18,99
26	221,84	210,72	10125026	120	20	50	6,96	10225026	130	25	70	13,43	10325026	130	30	100	20,34
27	229,91	218,79	10125027	120	20	50	7,30	10225027	130	25	70	14,38	10325027	130	30	100	21,92
28	237,98	226,86	10125028	120	20	50	7,64	10225028	130	25	70	15,38	10325028	130	30	100	23,57
29	246,05	234,93	10125029	120	20	50	8,00	10225029	130	25	70	16,41	10325029	130	30	100	25,27
30	254,12	243,00	10125030	120	20	50	8,38	10225030	130	25	70	17,48	10325030	130	30	100	27,05
31	262,19	251,07	10125031	120	25	50	8,69	10225031	140	25	70	18,96	10325031	140	30	100	29,23
32	270,26	259,14	10125032	120	25	50	9,09	10225032	140	25	70	20,10	10325032	140	30	100	31,13
33	278,33	267,21	10125033	120	25	50	9,50	10225033	140	25	70	21,29	10325033	140	30	100	33,10
34	286,40	275,28	10125034	120	25	50	9,93	10225034	140	25	70	22,21	10325034	140	30	100	35,13
35	294,48	283,36	10125035	120	25	50	10,36	10225035	140	25	70	23,77	10325035	140	30	100	37,23
36	302,55	291,43	10125036	120	25	50	10,81	10225036	140	25	70	25,07	10325036	140	30	100	39,39
37	310,63	299,51	10125037	120	25	50	11,28	10225037	140	25	70	26,41	10325038	140	30	100	43,90
38	318,70	307,58	10125038	120	25	50	11,76	10225038	140	25	70	27,79					
39	326,78	315,66	10125039	120	25	50	12,25	10225039	140	25	70	29,20					
40	334,86	323,74	10125040	120	25	50	12,75	10225040	140	25	70	30,65	10325040	140	30	100	48,67
42	351,01	339,89	10125042	125	25	70	16,54	10225042	150	25	80	33,63					
45	375,24	364,12	10125045	125	25	70	18,15	10225045	150	25	80	38,44	10325045	160	30	100	63,94
48	399,48	388,36	10125048	125	25	70	19,86	10225048	150	30	80	43,61					
50	415,64	404,52	10125050	125	25	70	20,89	10225050	150	30	80	47,25	10325050	160	30	100	78,58
57	472,20	461,08	10125057	125	30	70	25,52	10225057	160	30	90	63,45	10325057	180	40	110	103,03
60	496,45	485,33	10125060	125	30	70	27,76	10225060	160	30	90	70,00					
76	625,76	614,64	10125076	140	30	80	42,97	10225076	160	30	90	110,79	10325076	180	40	110	181,86

MATERIAL **C 45 UNI 7845**
FOR MONOLITHIC CHAIN SPROCKETS

MATERIAL **FE**
FOR CHAIN SPROCKETS WITH WELDED HUB

CAD drawings available on our site
www.chiaravalli.com

Quantity, availability and prices
on B2B Chiaravalli





PLATEWHEELS 1" x 17.02 mm
for roller chains in compliance
with DIN 8187 - ISO/R 606

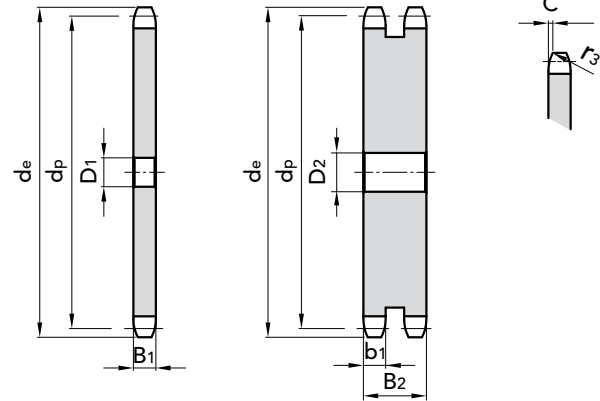
1" x 17.02 mm

PLATEWHEEL

Tooth radius r_3	26	mm
Radius width \check{C}	2,5	mm
Plate tooth width B_1	16,2	mm
Plate tooth width b_1	15,8	mm
Plate tooth width B_2	47,7	mm
Plate tooth width B_3	79,6	mm

CHAIN

Pitch	25,4	mm
Inner width	17,02	mm
Roller \varnothing	15,88	mm



SIMPLE

Z	D ₁	d _e	d _p	P. NUMBER	kg.
8	14	77,49	66,37	20125008	0,30
9	14	85,38	74,26	20125009	0,39
10	15	93,32	82,20	20125010	0,51
11	15	101,28	90,14	20125011	0,63
12	15	109,26	98,14	20125012	0,77
13	15	117,26	106,14	20125013	0,92
14	15	125,27	114,15	20125014	1,08
15	15	133,29	122,17	20125015	1,26
16	19	141,32	130,20	20125016	1,43
17	19	149,35	138,23	20125017	1,64
18	19	157,39	146,27	20125018	1,85
19	19	165,44	154,32	20125019	2,08
20	19	173,49	162,37	20125020	2,32
21	20	181,54	170,42	20125021	2,58
22	20	189,60	178,48	20125022	2,84
23	20	197,66	186,54	20125023	3,13
24	20	205,72	194,60	20125024	3,42
25	20	213,78	202,66	20125025	3,73
26	20	221,80	210,72	20125026	4,05
27	20	229,91	218,79	20125027	4,38
28	20	237,98	226,86	20125028	4,73
29	20	246,05	234,93	20125029	5,09
30	20	254,12	243,00	20125030	5,46
31	25	262,19	251,07	20125031	5,82
32	25	270,26	259,14	20125032	6,22
33	25	278,33	267,21	20125033	6,63
34	25	287,40	275,28	20125034	7,06
35	25	294,48	283,36	20125035	7,50
36	25	302,55	291,43	20125036	7,95
37	25	310,63	299,51	20125037	8,41
38	25	318,70	307,58	20125038	8,88
39	25	326,78	315,66	20125039	9,37
40	25	334,86	323,74	20125040	9,88
41	25	342,93	331,81	20125041	10,39
42	25	351,01	339,89	20125042	10,92
43	25	359,09	347,97	20125043	11,46

DOUBLE

Z	D ₁	d _e	d _p	P. NUMBER	kg.
8	16	77,49	66,37	20225008	0,71
9	16	85,38	74,26	20225009	0,97
10	16	93,32	82,20	20225010	1,27
11	20	101,28	90,14	20225011	1,57
12	20	109,26	98,14	20225012	1,94
13	20	117,26	106,14	20225013	2,36
14	20	125,27	114,15	20225014	2,81
15	20	133,29	122,17	20225015	3,31
16	20	141,32	130,20	20225016	3,84
17	20	149,35	138,23	20225017	4,41
18	20	157,39	146,27	20225018	5,01
19	20	165,44	154,32	20225019	5,66
20	20	173,49	162,37	20225020	6,34
21	25	181,54	170,42	20225021	7,00
22	25	189,60	178,48	20225022	7,76
23	25	197,66	186,54	20225023	8,56
24	25	205,72	194,60	20225024	9,40
25	25	213,78	202,66	20225025	10,28
26	25	221,80	210,72	20225026	11,20
27	25	229,91	218,79	20225027	12,15
28	25	237,98	226,86	20225028	13,14
29	25	246,05	234,93	20225029	14,17
30	25	254,12	243,00	20225030	15,24
31	25	262,19	251,07	20225031	16,35
32	25	270,26	259,14	20225032	17,50
33	25	278,33	267,21	20225033	18,68
34	25	287,40	275,28	20225034	19,90
35	25	294,48	283,36	20225035	21,16
36	25	302,55	291,43	20225036	22,46
37	25	310,63	299,51	20225037	23,80
38	25	318,70	307,58	20225038	25,18
39	25	326,78	315,66	20225039	26,59
40	25	334,86	323,74	20225040	28,04
41					
42	25	351,01	339,89	20225042	31,07
43	25	359,09	347,97	20225043	32,65

MATERIAL **FE / C45**

Ask for specific needs.

CAD drawings available on our site
www.chiaravalli.com

Quantity, availability and prices
on B2B Chiaravalli





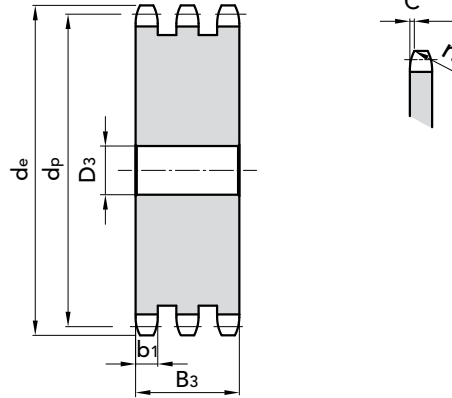
1" x 17.02 mm

PLATEWHEEL

Tooth radius r_3	26	mm
Radius width C	2,5	mm
Plate tooth width B_1	16,2	mm
Plate tooth width b_1	15,8	mm
Plate tooth width B_2	47,7	mm
Plate tooth width B_3	79,6	mm

CHAIN

Pitch	25,4	mm
Inner width	17,02	mm
Roller \varnothing	15,88	mm



PLATEWHEELS 1" x 17.02 mm
for roller chains in compliance
with DIN 8187 - ISO/R 606

TRIPLE

Z	D ₁	d _e	d _p	P. NUMBER	kg.	Z	D ₁	d _e	d _p	P. NUMBER	kg.
8	20	77,49	66,37	20325008	1,13	44	30	367,17	356,05	20325044	56,63
9	20	85,38	74,26	20325009	1,56	45	30	375,24	364,12	20325045	59,36
10	20	93,32	82,20	20325010	2,05	46	30	383,32	372,20	20325046	62,17
11	25	101,28	90,14	20325011	2,53	47					
12	25	109,26	98,14	20325012	3,15	48	30	399,48	388,36	20325048	67,97
13	25	117,26	106,14	20325013	3,84	49					
14	25	125,27	114,15	20325014	4,59	50	30	415,64	404,52	20325050	74,01
15	25	133,29	122,17	20325015	5,40	51					
16	30	141,32	130,20	20325016	6,16	52	40	431,80	420,68	20325052	79,98
17	30	149,35	138,23	20325017	7,11	53					
18	30	157,39	146,27	20325018	8,11	54					
19	30	165,44	154,32	20325019	9,18	55	40	456,04	444,92	20325055	89,92
20	30	173,49	162,37	20325020	10,31	56					
21	30	181,54	170,42	20325021	11,51	57	40	472,20	461,08	20325057	96,87
22	30	189,60	178,48	20325022	12,77	58					
23	30	197,66	186,54	20325023	14,10	60	40	496,45	485,33	20325060	107,78
24	30	205,72	194,60	20325024	14,49	62					
25	30	213,78	202,66	20325025	16,94	64					
26	30	221,80	210,72	20325026	18,33	65	40	536,85	525,73	20325065	127,24
27	30	229,91	218,79	20325027	19,91	68	40	561,10	579,98	20325068	137,78
28	30	237,98	226,86	20325028	21,55	70	40	577,27	566,15	20325070	148,31
29	30	246,05	234,93	20325029	23,26	72	40	593,43	582,31	20325072	157,18
30	30	254,12	243,00	20325030	25,04	75					
31	30	262,19	251,07	20325031	26,88	76	40	625,76	614,64	20325076	175,70
32	30	270,26	259,14	20325032	28,78	78					
33	30	278,33	267,21	20325033	30,75	80	40	658,09	646,97	20325080	195,25
34	30	287,40	275,28	20325034	32,78	85	40	698,51	687,39	20325085	221,13
35	30	294,48	283,36	20325035	34,88	90	40	738,92	727,80	20325090	248,61
36	30	302,55	291,43	20325036	37,04	95	40	779,34	768,22	20325095	277,70
37						100					
38	30	318,70	307,58	20325038	41,56	110					
39						114	40	932,93	921,81	20325114	402,85
40	30	334,86	323,74	20325040	46,42	120					
41						125	40	1021,86	1010,74	20325125	485,90
42	30	351,01	339,89	20325042	51,34						
43											

MATERIAL **FE / C45**

Ask for specific needs.

CAD drawings available on our site
www.chiaravalli.com

Quantity, availability and prices
on B2B Chiaravalli

