



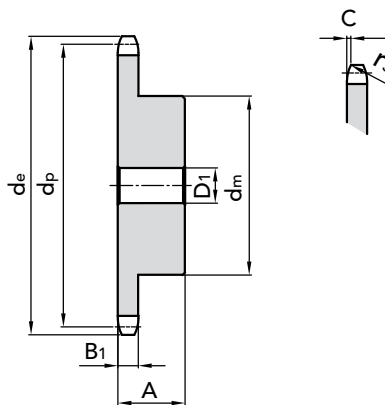
## 1/2" x 1/4" rullo 7.75

### CHAIN SPROCKETS

|                             |     |    |
|-----------------------------|-----|----|
| Tooth radius $r_3$          | 13  | mm |
| Radius width $\check{C}$    | 1,3 | mm |
| Sprockets tooth width $B_1$ | 5,9 | mm |

### CHAIN

|                      |      |    |
|----------------------|------|----|
| Pitch                | 12,7 | mm |
| Inner width          | 6,4  | mm |
| Roller $\varnothing$ | 7,75 | mm |



### SIMPLES

| Z  | d <sub>e</sub> | d <sub>p</sub> | PART NUMBER | d <sub>m</sub> | D <sub>1</sub> | A  | kg.  |
|----|----------------|----------------|-------------|----------------|----------------|----|------|
| 15 |                |                |             |                |                |    |      |
| 16 |                |                |             |                |                |    |      |
| 17 | 74,37          | 69,11          | 10113017    | 52             | 8              | 28 | 0,51 |
| 21 | 90,46          | 85,22          | 10113021    | 68             | 8              | 28 | 0,83 |
| 22 | 94,49          | 89,24          | 10113022    | 70             | 8              | 28 | 0,90 |
| 23 | 98,52          | 93,27          | 10113023    | 70             | 8              | 28 | 0,94 |
| 25 |                |                |             |                |                |    |      |
| 26 | 110,61         | 105,36         | 10113026    | 70             | 8              | 30 | 1,09 |
| 27 |                |                |             |                |                |    |      |
| 28 | 118,68         | 113,42         | 10113028    | 70             | 10             | 30 | 1,13 |
| 29 | 122,71         | 117,46         | 10113029    | 80             | 10             | 30 | 1,39 |
| 30 | 126,75         | 121,50         | 10113030    | 80             | 10             | 30 | 1,41 |
| 31 | 130,78         | 125,54         | 10113031    | 90             | 10             | 30 | 1,22 |
| 32 |                |                |             |                |                |    |      |
| 33 | 138,86         | 133,60         | 10113033    | 90             | 10             | 30 | 1,29 |
| 34 | 142,89         | 137,64         | 10113034    | 90             | 10             | 30 | 1,83 |
| 35 | 146,93         | 141,68         | 10113035    | 90             | 10             | 30 | 1,89 |
| 36 | 150,97         | 145,72         | 10113036    | 90             | 10             | 30 | 2,14 |
| 38 | 159,04         | 153,80         | 10113038    | 90             | 12             | 35 | 2,22 |
| 39 | 163,08         | 157,83         | 10113039    | 90             | 12             | 35 | 1,65 |
| 40 | 167,12         | 161,87         | 10113040    | 90             | 12             | 35 | 2,41 |

MATERIAL C 45 UNI 7845

CAD drawings available on our site  
[www.chiaravalli.com](http://www.chiaravalli.com)

Quantity, availability and prices  
on B2B Chiaravalli



CHAIN SPROCKETS 1/2" x 1/4" rullo 7.75 for roller chains in compliance with DIN 8187 - ISO/R 606



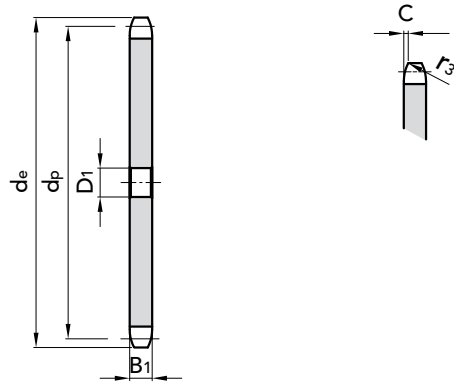
## 1/2" x 1/4" roller 7.75

### PLATEWHEEL

|                         |     |    |
|-------------------------|-----|----|
| Tooth radius $r_3$      | 13  | mm |
| Radius width $\bar{C}$  | 1,3 | mm |
| Plate tooth width $B_1$ | 5,9 | mm |

### CHAIN

|                      |      |    |
|----------------------|------|----|
| Pitch                | 12,7 | mm |
| Inner width          | 6,4  | mm |
| Roller $\varnothing$ | 7,75 | mm |



### SIMPLE

| Z  | D <sub>1</sub> | d <sub>e</sub> | d <sub>p</sub> | P. NUMBER | kg.   | Z   | D <sub>1</sub> | d <sub>e</sub> | d <sub>p</sub> | P. NUMBER | kg.   |
|----|----------------|----------------|----------------|-----------|-------|-----|----------------|----------------|----------------|-----------|-------|
| 8  | 8              | 38,5           | 33,18          | 20113008  | 0,030 | 44  | 16             | 183,5          | 178,03         | 20113044  | 1,090 |
| 9  | 8              | 41,5           | 37,13          | 20113009  | 0,038 | 45  | 16             | 187,5          | 182,07         | 20113045  | 1,150 |
| 10 | 8              | 46,2           | 41,10          | 20113010  | 0,040 | 46  | 20             | 191,6          | 186,10         | 20113046  | 1,170 |
| 11 | 8              | 49,6           | 45,07          | 20113011  | 0,059 | 47  | 20             | 195,6          | 190,14         | 20113047  | 1,270 |
| 12 | 8              | 53,9           | 49,07          | 20113012  | 0,072 | 48  | 20             | 199,7          | 194,18         | 20113048  | 1,380 |
| 13 | 8              | 58,4           | 53,06          | 20113013  | 0,100 | 49  | 20             | 203,7          | 198,22         | 20113049  | 1,390 |
| 14 | 8              | 62,8           | 57,07          | 20113014  | 0,100 | 50  | 20             | 207,8          | 202,26         | 20113050  | 1,440 |
| 15 | 8              | 66,8           | 61,09          | 20113015  | 0,115 | 52  | 20             | 215,9          | 210,34         | 20113052  | 1,620 |
| 16 | 10             | 70,9           | 65,10          | 20113016  | 0,120 | 54  | 20             | 224,0          | 218,43         | 20113054  | 1,710 |
| 17 | 10             | 74,9           | 69,11          | 20113017  | 0,150 | 56  | 20             | 232,1          | 226,50         | 20113056  | 1,750 |
| 18 | 10             | 78,9           | 73,14          | 20113018  | 0,190 | 57  | 20             | 236,1          | 230,54         | 20113057  | 1,850 |
| 19 | 10             | 82,9           | 77,16          | 20113019  | 0,210 | 58  |                |                |                |           |       |
| 20 | 10             | 86,9           | 81,19          | 20113020  | 0,220 | 60  | 20             | 248,2          | 242,66         | 20113060  | 2,120 |
| 21 | 10             | 91,0           | 85,22          | 20113021  | 0,240 | 62  | 20             | 256,7          | 250,75         | 20113062  | 2,310 |
| 22 | 10             | 95,0           | 89,24          | 20113022  | 0,240 | 65  | 20             | 268,8          | 262,86         | 20113065  | 2,420 |
| 23 | 10             | 99,0           | 93,27          | 20113023  | 0,250 | 70  | 25             | 289,0          | 283,07         | 20113070  | 2,950 |
| 24 | 10             | 103,0          | 97,29          | 20113024  | 0,310 | 76  | 25             | 313,3          | 307,33         | 20113076  | 3,480 |
| 25 | 10             | 107,1          | 101,33         | 20113025  | 0,310 | 80  | 25             | 329,4          | 323,48         | 20113080  | 3,700 |
| 26 | 12             | 111,2          | 105,36         | 20113026  | 0,390 | 85  | 25             | 349,7          | 343,70         | 20113085  | 4,370 |
| 27 | 12             | 115,4          | 109,40         | 20113027  | 0,430 | 95  | 25             | 390,1          | 384,10         | 20113095  | 5,470 |
| 28 | 12             | 119,4          | 113,42         | 20113028  | 0,440 | 100 | 25             | 410,3          | 404,31         | 20113100  | 5,710 |
| 29 |                |                |                |           |       | 110 | 25             | 450,7          | 444,74         | 20113110  | 6,000 |
| 30 | 12             | 127,5          | 121,50         | 20113030  | 0,480 | 114 | 25             | 466,9          | 460,90         | 20113114  | 6,540 |
| 31 | 12             | 131,5          | 125,54         | 20113031  | 0,560 | 120 |                |                |                |           |       |
| 32 | 12             | 135,5          | 129,56         | 20113032  | 0,570 | 125 |                |                |                |           |       |
| 33 | 12             | 139,6          | 133,60         | 20113033  | 0,620 |     |                |                |                |           |       |
| 34 | 12             | 143,6          | 137,64         | 20113034  | 0,660 |     |                |                |                |           |       |
| 35 | 12             | 147,6          | 141,68         | 20113035  | 0,680 |     |                |                |                |           |       |
| 36 | 16             | 151,7          | 145,72         | 20113036  | 0,810 |     |                |                |                |           |       |
| 37 | 16             | 155,7          | 149,76         | 20113037  | 0,910 |     |                |                |                |           |       |
| 38 | 16             | 159,8          | 153,80         | 20113038  | 0,950 |     |                |                |                |           |       |
| 39 | 16             | 163,8          | 157,83         | 20113039  | 0,950 |     |                |                |                |           |       |
| 40 | 16             | 167,8          | 161,87         | 20113040  | 0,980 |     |                |                |                |           |       |
| 41 | 16             | 171,4          | 165,91         | 20113041  | 0,980 |     |                |                |                |           |       |
| 42 | 16             | 175,4          | 169,95         | 20113042  | 0,990 |     |                |                |                |           |       |
| 43 | 16             | 179,5          | 173,99         | 20113043  | 1,030 |     |                |                |                |           |       |

MATERIAL **FE / C45**

Ask for specific needs.

CAD drawings available on our site  
[www.chiaravalli.com](http://www.chiaravalli.com)

Quantity, availability and prices  
 on B2B Chiaravalli

