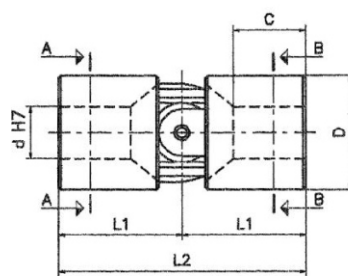
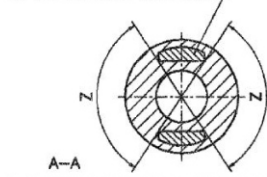




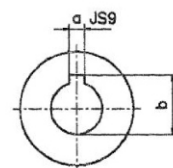
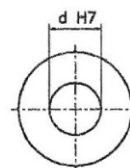
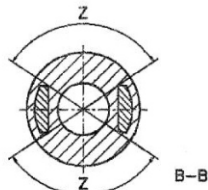
- Nucleo e forcelle integrali in acc. Cr. Ni. Cementato e temperato
HRC ≥ 60 , R ≥ 200 Kgf/mm²
Central block and forks from one piece of Nickel Chrome steel cemented and hardened HRC ≥ 60 , R ≥ 200 Kgf/sq.mm.
- Elevata resistenza usura, lunga durata.
High wear resistance, long life.
- Prelubrificati. Ingrassatore incorporato.
Pre-lubricated. Graser built-in.
- Angolo max: 45°. Giri max. 1000/min.
Max angle: 45°. Max speed 1000 R.P.M.
- Esecuzioni speciali a richiesta.
Special executions on request.



Acc. Cr.Ni. CMT / 60 HRC
60 HRC CEMENTED Cr.Ni. STEEL



Z=Zona di foratura - Z=boring area



Mod. Typ	Codi ce / C ode	d	D	L2	L1	C	Kód	Codi ce / C ode	a	b	Peso Weight Kg
01S	SSOS0600	6	16	34	17	9	—	—	—	—	0,05
02S	SSOS0800	8	18	40	20	11	—	—	—	—	0,06
03S	SSOS1000	10	22	48	24	14	SSOS101C	SSOS102C	3	11,4	0,11
04S	SSOS1200	12	26	56	28	16	SSOS121C	SSOS122C	4	13,8	0,17
05S	SSOS1400	14	29	60	30	17	SSOS141C	SSOS142C	5	16,3	0,22
1S	SSOS1600	16	32	68	34	20	SSOS161C	SSOS162C	5	18,3	0,32
2S	SSOS1800	18	37	74	37	21	SSOS181C	SSOS182C	6	20,8	0,47
3S	SSOS2000	20	42	82	41	23	SSOS201C	SSOS202C	6	22,8	0,67
4S	SSOS2200	22	47	95	47,5	25	SSOS221C	SSOS222C	6	24,8	1,00
5S	SSOS2500	25	52	108	54	29	SSOS251C	SSOS252C	8	28,3	1,35
6S	SSOS3000	30	58	122	61	34	SSOS301C	SSOS302C	8	33,3	1,85

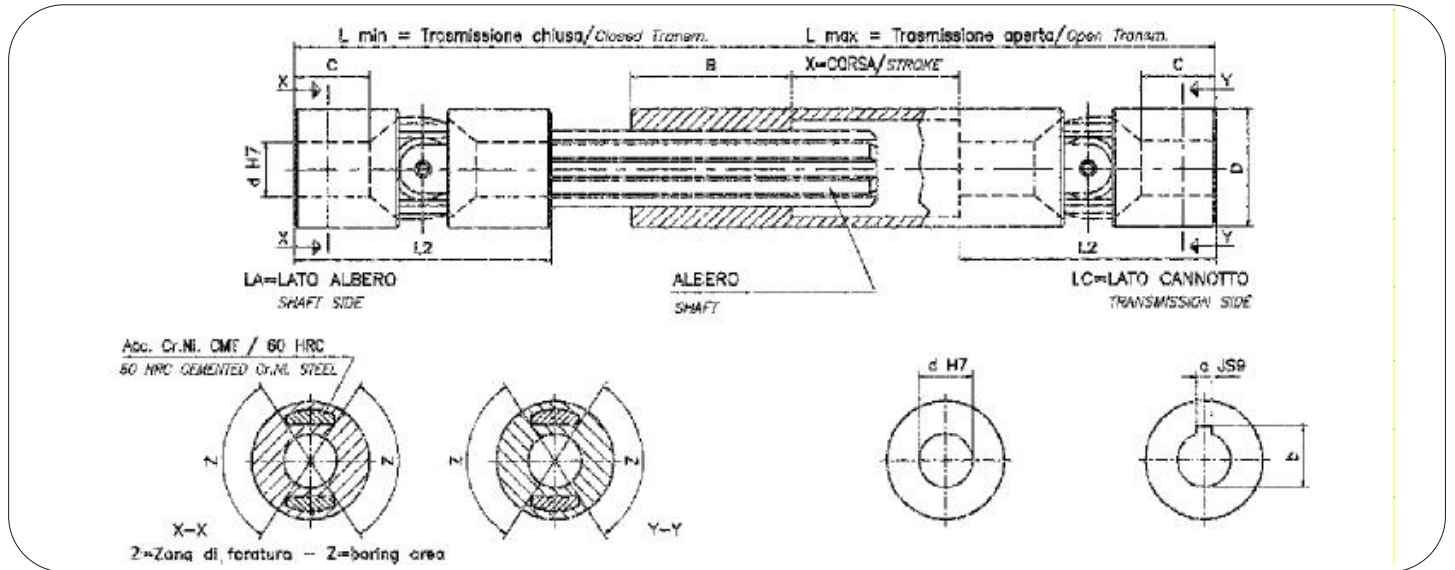


● Giunti di elevata qualità serie "S".
High quality joints series "S".

● Lunghezze min. e max. a richiesta:
Min. and max. lengths on request:

$$L. MIN. \geq \frac{L. MAX. + 2 L2 + B}{2}$$

$$CORSA X \geq \frac{L. MAX. - 2 L2 - B}{2}$$



Mod. Type	d	D	L2	C	L min.	L max.	x = corsa / stroke	B	a	b	Albero Shaft
					a richiesta - on request						
01A	6	16	34	9	←	→	—	25	—	—	SW 8
02A	8	18	40	11	←	→	—	25	—	—	SW 10
03A	10	22	48	14	←	→	—	30	3	11,4	11 x 14 Z6
04A	12	26	56	16	←	→	—	40	4	13,8	13 x 16 Z6
05A	14	29	60	17	←	→	—	40	5	16,3	13 x 16 Z6
1A	16	32	68	20	←	→	—	40	5	18,3	16 x 20 Z6
2A	18	37	74	21	←	→	—	40	6	20,8	18 x 22 Z6
3A	20	42	82	23	←	→	—	45	6	22,8	21 x 25 Z6
4A	22	47	95	25	←	→	—	45	6	24,8	23 x 28 Z6
5A	25	52	108	29	←	→	—	45	8	28,3	26 x 32 Z6
6A	30	58	122	34	←	→	—	50	8	33,3	32 x 38 Z8

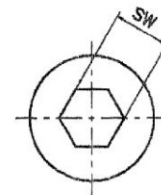
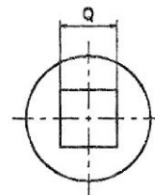
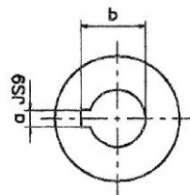
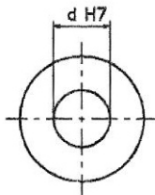
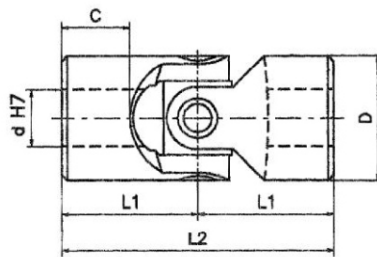


GIUNTI SINGOLI

SINGLE JOINTS

serie «G»
series (DIN 808)

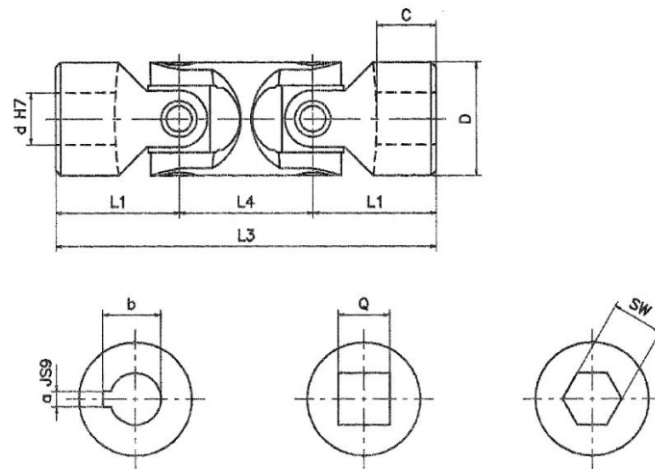
- Bussole di scorrimento anti-usura in acciaio cementato e temperato.
Wear resistant sliding bushes from cemented and hardened steel.
- Robusti precisi e versatili; vasto campo di applicazione.
Strong precise and versatile; wide application field.
- Angolo max: 45°. Giri max. 1000/min.
Max angle: 45°. Max speed 1000 R.P.M.
- "G" corrispondenti DIN 808 - "GB" corrispondenti DIN 808/7551
"G" to DIN 808 - "GB" to DIN 808/7551
- Esecuzioni speciali a richiesta.
Special executions on request.



Mod. Type	Codice / Code	d	D	L2	L1	C	Codice / Code	Codice / Code	a	b	Codice / Code	Q	* SW	Peso Weight Kg
01G	SGOS 0600	6	16	34	17	8	SGOS 061C	SGOS 062C	2	7	SGOS 062Q	6	6	0,05
02G	SGOS 0800	8	16	40	20	11	SGOS 081C	SGOS 082C	2	9	SGOS 082Q	8	8	0,05
03G	SGOS 1000	10	22	48	24	12	SGOS 101C	SGOS 102C	3	11,4	SGOS 102Q	10	10	0,10
04G	SGOS 1200	12	25	56	28	13	SGOS 121C	SGOS 122C	4	13,8	SGOS 122Q	12	12	0,16
05G	SGOS 1400	14	28	60	30	14	SGOS 141C	SGOS 142C	5	16,3	SGOS 142Q	14	14	0,20
1G	SGOS 1600	16	32	68	34	16	SGOS 161C	SGOS 162C	5	18,3	SGOS 162Q	16	16	0,30
2G	SGOS 1800	18	36	74	37	17	SGOS 181C	SGOS 182C	6	20,8	SGOS 182Q	18	18	0,45
3G	SGOS 2000	20	42	82	41	18	SGOS 201C	SGOS 202C	6	22,8	SGOS 202Q	20	20	0,60
4G	SGOS 2200	22	45	95	47,5	22	SGOS 221C	SGOS 222C	6	24,8	SGOS 222Q	22	22	0,95
5G	SGOS 2500	25	50	108	54	26	SGOS 251C	SGOS 252C	8	28,3	SGOS 252Q	25	25	1,20
6G	SGOS 3000	30	58	122	61	29	SGOS 301C	SGOS 302C	8	33,3	SGOS 302Q	30	30	1,85
6G1	SGOS 3200	32	58	130	65	33	SGOS 321C	SGOS 322C	10	35,3	SGOS 322Q	30	30	2,00
7G	SGOS 3500	35	70	140	70	35	SGOS 351C	SGOS 352C	10	38,3	—	**	**	3,15
8G	SGOS 4000	40	80	160	80	39	SGOS 401C	SGOS 402C	12	43,3	—	**	**	4,60
9G	SGOS 5000	50	95	190	95	46	SGOS 501C	SGOS 502C	14	53,8	—	**	**	7,60
03GB	SGBS 1000	10	16	52	26	15	SGBS 101C	SGBS 102C	3	11,4	SGBS 082Q	8	8	0,05
04GB	SGBS 1200	12	22	62	31	18	SGBS 121C	SGBS 122C	4	13,8	SGBS 102Q	10	10	0,12
1GB	SGBS 1600	16	25	74	37	21	SGBS 161C	SGBS 162C	5	18,3	SGBS 122Q	12	12	0,20
3GB	SGBS 2000	20	32	86	43	24	SGBS 201C	SGBS 202C	6	22,8	SGBS 162Q	16	16	0,35
5GB	SGBS 2500	25	42	108	54	31	SGBS 251C	SGBS 252C	8	28,3	SGBS 202Q	20	20	0,80
6GB	SGBS 3000	30	50	132	66	38	SGBS 301C	SGBS 302C	8	33,3	SGBS 252Q	25	25	1,20
8GB	SGBS 4000	40	70	166	83	47	SGBS 401C	SGBS 402C	12	43,3	—	**	**	2,90



- Bussole di scorrimento anti-usura in acciaio cementato e temperato.
Wear resistant sliding bushes from cemented and hardened steel.
- Robusti precisi e versatili; vasto campo di applicazione.
Strong precise and versatile; wide application field.
- Angolo max: 90°. Giri max. 1000/min.
Max angle: 90°. Max speed 1000 R.P.M.
- "GD" corrispondenti DIN 808 - "GBD" corrispondenti DIN 808/7551
"GD" to DIN 808 - "GBD" to DIN 808/7551
- Esecuzioni speciali a richiesta.
Special executions on request.



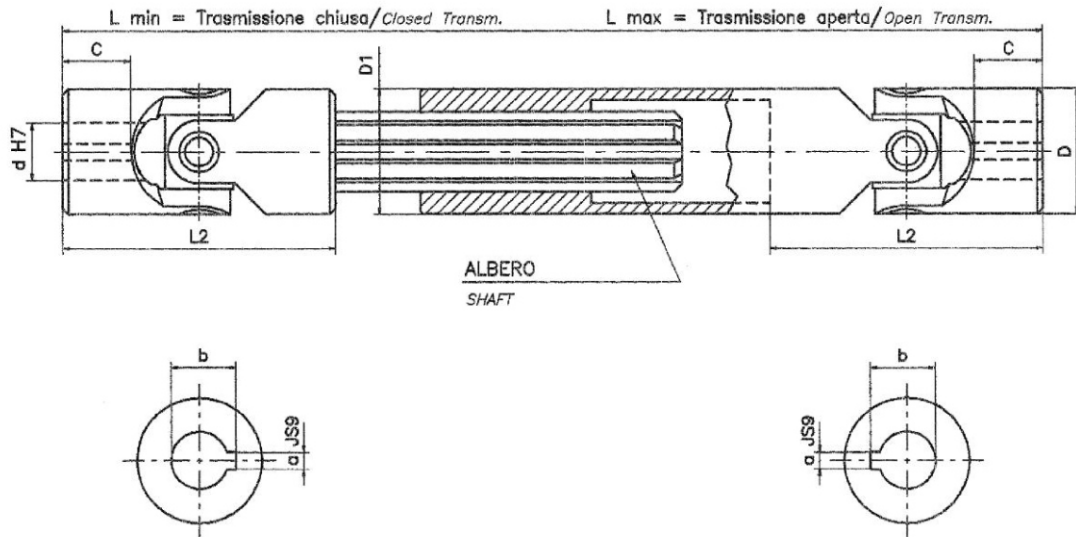
Mod. Type	Codice / Code	d	D	L3	L1	L4	C	Codice / Code	Codice / Code	a	b	Codice / Code	Q	* SW	Peso Weight Kg
01GD	SGOD 0600	6	16	56	17	22	8	SGOD 061C	SGOD 062C	2	7	SGOD 062Q	6	6	0,08
02GD	SGOD 0800	8	16	62	20	22	11	SGOD 081C	SGOD 082C	2	9	SGOD 082Q	8	8	0,08
03GD	SGOD 1000	10	22	74	24	26	12	SGOD 101C	SGOD 102C	3	11,4	SGOD 102Q	10	10	0,15
04GD	SGOD 1200	12	25	86	28	30	13	SGOD 121C	SGOD 122C	4	13,8	SGOD 122Q	12	12	0,25
05GD	SGOD 1400	14	28	96	30	36	14	SGOD 141C	SGOD 142C	5	16,3	SGOD 142Q	14	14	0,40
1GD	SGOD 1600	16	32	104	34	36	16	SGOD 161C	SGOD 162C	5	18,3	SGOD 162Q	16	16	0,45
2GD	SGOD 1800	18	36	114	37	40	17	SGOD 181C	SGOD 182C	6	20,8	SGOD 182Q	18	18	0,70
3GD	SGOD 2000	20	42	128	41	46	18	SGOD 201C	SGOD 202C	6	22,8	SGOD 202Q	20	20	1,00
4GD	SGOD 2200	22	45	145	47,5	50	22	SGOD 221C	SGOD 222C	6	24,8	SGOD 222Q	22	22	1,55
5GD	SGOD 2500	25	50	163	54	55	26	SGOD 251C	SGOD 252C	8	28,3	SGOD 252Q	25	25	2,00
6GD	SGOD 3000	30	58	190	61	68	29	SGOD 301C	SGOD 302C	8	33,3	SGOD 302Q	30	30	2,90
6GD1	SGOD 3200	32	58	198	65	68	33	SGOD 321C	SGOD 322C	10	35,3	SGOD 322Q	30	30	3,00
7GD	SGOD 3500	35	70	212	70	72	35	SGOD 351C	SGOD 352C	10	38,3	—	**	**	4,75
8GD	SGOD 4000	40	80	245	80	85	39	SGOD 401C	SGOD 402C	12	43,3	—	**	**	7,20
9GD	SGOD 5000	50	95	290	95	100	46	SGOD 501C	SGOD 502C	14	53,8	—	**	**	12,00
03GBD	SGBD 1000	10	16	74	26	22	15	SGBD 101C	SGBD 102C	3	11,4	SGBD 082Q	8	8	0,08
04GBD	SGBD 1200	12	22	88	31	26	18	SGBD 121C	SGBD 122C	4	13,8	SGBD 102Q	10	10	0,20
1GBD	SGBD 1600	16	25	104	37	30	21	SGBD 161C	SGBD 162C	5	18,3	SGBD 122Q	12	12	0,30
3GBD	SGBD 2000	20	32	124	43	38	24	SGBD 201C	SGBD 202C	6	22,8	SGBD 162Q	16	16	0,50
5GBD	SGBD 2500	25	42	156	54	48	31	SGBD 251C	SGBD 252C	8	28,3	SGBD 202Q	20	20	1,20
6GBD	SGBD 3000	30	50	188	66	56	38	SGBD 301C	SGBD 302C	8	33,3	SGBD 252Q	25	25	1,70
8GBD	SGBD 4000	40	70	238	83	72	47	SGBD 401C	SGBD 402C	12	43,3	—	**	**	4,30



TRASMISSIONI ALLUNGABILI STANDARD STANDARD EXTENSIBLE TRANSMISSIONS

serie «G»
series (DIN 808)

- Giunti serie "G" con bussole di scorrimento anti-usura.
Joints series "G" with wear resistant sliding bushes.
- Completi di cave per linguetta.
Complete with keyways.
- Ampia gamma di lunghezze per ogni modello.
Wide range of lengths per model.
- Consegna pronta.
Ready delivery.



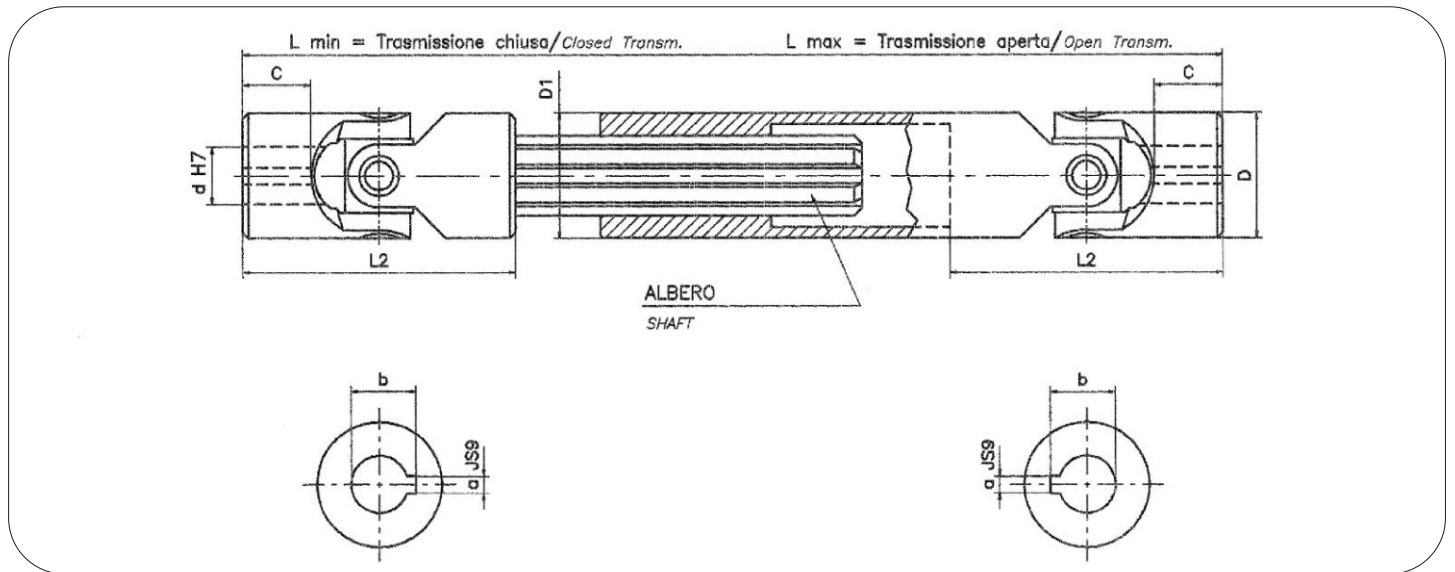
Mod. Type	Codice / Code	d	D	L2	C	L min.	L max.	corsa stroke	a	b	Albero Shaft	D1	Peso Weight Kg
03GA1	SGOA 1010	10	22	48	12	140	170	30	3	11,4	11 x 14 Z6	22	0,31
03GA15	SGOA 1015	10	22	48	12	160	200	40	3	11,4	11 x 14 Z6	22	0,36
03GA2	SGOA 1020	10	22	48	12	180	240	60	3	11,4	11 x 14 Z6	22	0,38
03GA25	SGOA 1025	10	22	48	12	230	330	100	3	11,4	11 x 14 Z6	22	0,50
04GA1	SGOA 1210	12	25	56	13	160	190	30	4	13,8	13 x 16 Z6	26	0,50
04GA15	SGOA 1215	12	25	56	13	180	225	45	4	13,8	13 x 16 Z6	26	0,56
04GA2	SGOA 1220	12	25	56	13	200	270	70	4	13,8	13 x 16 Z6	26	0,62
04GA23	SGOA 1223	12	25	56	13	220	300	80	4	13,8	13 x 16 Z6	26	0,67
04GA26	SGOA 1226	12	25	56	13	250	355	105	4	13,8	13 x 16 Z6	26	0,76
04GA29	SGOA 1229	12	25	56	13	280	420	140	4	13,8	13 x 16 Z6	26	0,84
04GA32	SGOA 1232	12	25	56	13	300	450	150	4	13,8	13 x 16 Z6	26	0,90
05GA1	SGOA 1410	14	28	60	14	170	200	30	5	16,3	13 x 16 Z6	29	0,62
05GA15	SGOA 1415	14	28	60	14	180	220	40	5	16,3	13 x 16 Z6	29	0,64
05GA18	SGOA 1418	14	28	60	14	200	260	60	5	16,3	13 x 16 Z6	29	0,72
05GA2	SGOA 1420	14	28	60	14	220	300	80	5	16,3	13 x 16 Z6	29	0,78
05GA23	SGOA 1423	14	28	60	14	250	350	100	5	16,3	13 x 16 Z6	29	0,87
05GA26	SGOA 1426	14	28	60	14	280	420	140	5	16,3	13 x 16 Z6	29	0,96



TRASMISSIONI ALLUNGABILI STANDARD STANDARD EXTENSIBLE TRANSMISSIONS

serie «G»
series (DIN 808)

- Giunti serie "G" con bussole di scorrimento anti-usura.
Joints series "G" with wear resistant sliding bushes.
- Completi di cave per linguetta.
Complete with keyways.
- Ampia gamma di lunghezze per ogni modello.
Wide range of lengths per model.
- Consegna pronta.
Ready delivery.



Mod. Type	Codice / Code	d	D	L2	C	L min.	L max.	corsa stroke	a	b	Albero Shaft	D1	Peso Weight Kg
05GA29	SGOA 1429	14	28	60	14	300	450	150	5	16,3	13 x 16 Z6	29	1,03
05GA32	SGOA 1432	14	28	60	14	350	550	200	5	16,3	13 x 16 Z6	29	1,17
05GA35	SGOA 1435	14	28	60	14	400	650	250	5	16,3	13 x 16 Z6	29	1,33
1GA1	SGOA 1610	16	32	68	16	190	220	30	5	18,3	16 x 20 Z6	32	0,90
1GA15	SGOA 1615	16	32	68	16	210	250	40	5	18,3	16 x 20 Z6	32	0,98
1GA2	SGOA 1620	16	32	68	16	240	320	80	5	18,3	16 x 20 Z6	32	1,10
1GA23	SGOA 1623	16	32	68	16	250	350	100	5	18,3	16 x 20 Z6	32	1,14
1GA26	SGOA 1626	16	32	68	16	275	390	115	5	18,3	16 x 20 Z6	32	1,24
1GA29	SGOA 1629	16	32	68	16	300	430	130	5	18,3	16 x 20 Z6	32	1,33
1GA32	SGOA 1632	16	32	68	16	380	590	210	5	18,3	16 x 20 Z6	32	1,60
1GA35	SGOA 1635	16	32	68	16	400	630	230	5	18,3	16 x 20 Z6	32	1,73
2GA1	SGOA 1810	18	36	74	17	230	280	50	6	20,8	18 x 22 Z6	37	1,35
2GA15	SGOA 1815	18	36	74	17	250	320	70	6	20,8	18 x 22 Z6	37	1,46
2GA18	SGOA 1818	18	36	74	17	270	370	100	6	20,8	18 x 22 Z6	37	1,55
2GA2	SGOA 1820	18	36	74	17	290	400	110	6	20,8	18 x 22 Z6	37	1,66
2GA23	SGOA 1823	18	36	74	17	300	415	115	6	20,8	18 x 22 Z6	37	1,71
2GA26	SGOA 1826	18	36	74	17	400	620	220	6	20,8	18 x 22 Z6	37	2,23

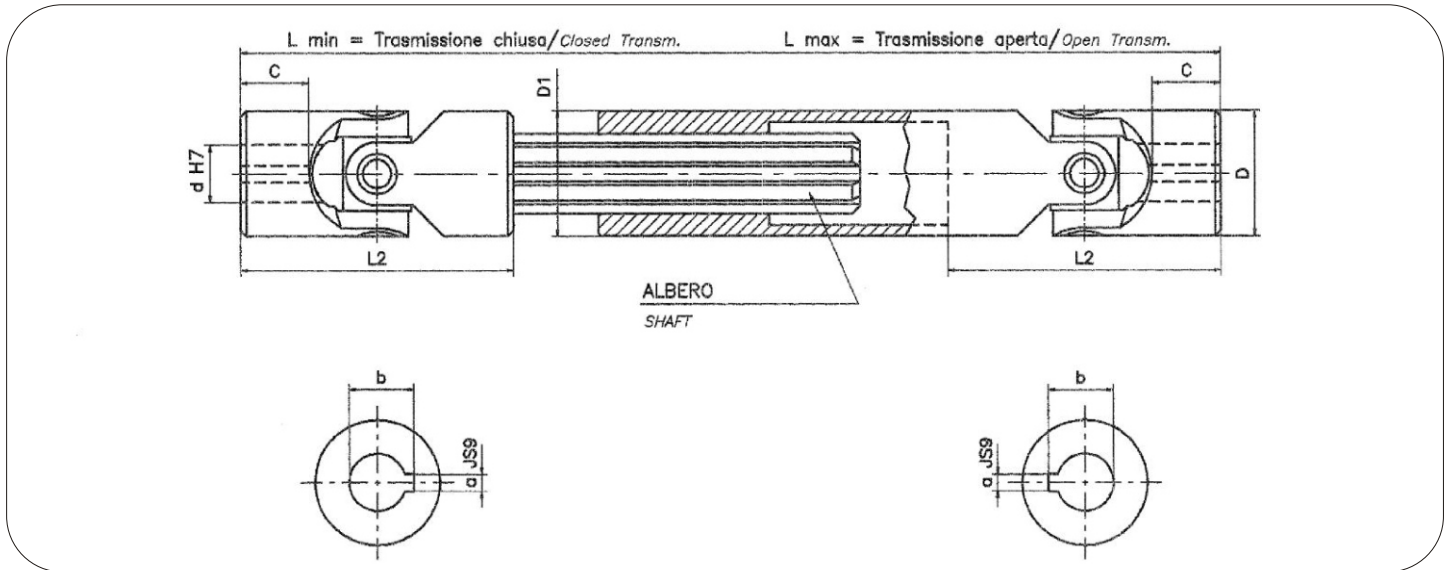


TRASMISSIONI ALLUNGABILI STANDARD

STANDARD EXTENSIBLE TRANSMISSIONS

serie «G»
series (DIN 808)

- Giunti serie "G" con bussole di scorrimento anti-usura.
Joints series "G" with wear resistant sliding bushes.
- Completi di cave per linguetta,
Complete with keyways.
- Ampia gamma di lunghezze per ogni modello.
Wide range of lengths per model.
- Consegna pronta.
Ready delivery.



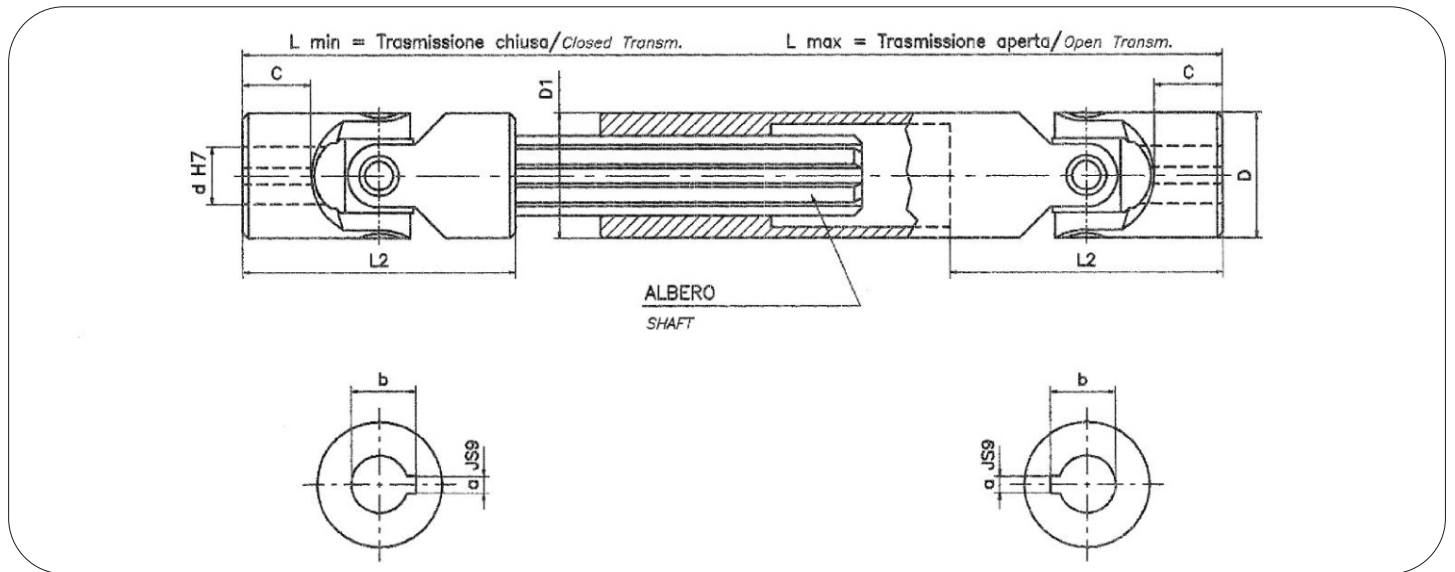
Mod. Type	Codice / Code	d	D	L2	C	L min.	L max.	corsa stroke	a	b	Albero Shaft	D1	Peso Weight Kg
2GA29	SGOA 1829	18	36	74	17	500	820	320	6	20,8	18 x 22 Z6	37	2,75
3GA1	SGOA 2010	20	42	82	18	250	300	50	6	22,8	21 x 25 Z6	42	1,99
3GA15	SGOA 2015	20	42	82	18	270	340	70	6	22,8	21 x 25 Z6	42	2,12
3GA18	SGOA 2018	20	42	82	18	290	380	90	6	22,8	21 x 25 Z6	42	2,25
3GA2	SGOA 2020	20	42	82	18	320	440	120	6	22,8	21 x 25 Z6	42	2,46
3GA23	SGOA 2023	20	42	82	18	380	560	180	6	22,8	21 x 25 Z6	42	2,86
3GA26	SGOA 2026	20	42	82	18	420	640	220	6	22,8	21 x 25 Z6	42	3,13
3GA29	SGOA 2029	20	42	82	18	500	800	300	6	22,8	21 x 25 Z6	42	3,66
4GA05	SGOA 2205	22	45	95	22	250	280	30	6	24,8	23 x 28 Z6	47	2,35
4GA1	SGOA 2210	22	45	95	22	270	320	50	6	24,8	23 x 28 Z6	47	2,51
4GA15	SGOA 2215	22	45	95	22	290	350	60	6	24,8	23 x 28 Z6	47	2,67
4GA2	SGOA 2220	22	45	95	22	330	430	100	6	24,8	23 x 28 Z6	47	3,00
4GA23	SGOA 2223	22	45	95	22	350	470	120	6	24,8	23 x 28 Z6	47	3,16
4GA26	SGOA 2226	22	45	95	22	470	710	240	6	24,8	23 x 28 Z6	47	4,13
5GA1	SGOA 2510	25	50	108	26	295	345	50	8	28,3	26 x 32 Z6	52	3,39
5GA15	SGOA 2515	25	50	108	26	310	375	65	8	28,3	26 x 32 Z6	52	3,52
5GA2	SGOA 2520	25	50	108	26	350	450	100	8	28,3	26 x 32 Z6	52	3,92



TRASMISSIONI ALLUNGABILI STANDARD STANDARD EXTENSIBLE TRANSMISSIONS

serie «G»
series (DIN 808)

- Giunti serie "G" con bussole di scorrimento anti-usura.
Joints series "G" with wear resistant sliding bushes.
- Completi di cave per linguetta,
Complete with keyways.
- Ampia gamma di lunghezze per ogni modello.
Wide range of lengths per model.
- Consegna pronta.
Ready delivery.



Mod. Type	Codice / Code	d	D	L2	C	L min.	L max.	corsa stroke	a	b	Albero Shaft	D1	Peso Weight Kg
5GA23	SGOA 2523	25	50	108	26	380	500	120	8	28,3	26 x 32 Z6	52	4,20
5GA26	SGOA 2526	25	50	108	26	420	590	170	8	28,3	26 x 32 Z6	52	4,59
5GA29	SGOA 2529	25	50	108	26	460	660	200	8	28,3	26 x 32 Z6	52	4,98
5GA32	SGOA 2532	25	50	108	26	500	745	245	8	28,3	26 x 32 Z6	52	5,37
6GA1	SGOA 3010	30	58	122	29	330	380	50	8	33,3	32 x 38 Z8	58	4,90
6GA15	SGOA 3015	30	58	122	29	350	420	70	8	33,3	32 x 38 Z8	58	5,17
6GA18	SGOA 3018	30	58	122	29	370	455	85	8	33,3	32 x 38 Z8	58	5,42
6GA2	SGOA 3020	30	58	122	29	400	510	110	8	33,3	32 x 38 Z8	58	5,85
6GA23	SGOA 3023	30	58	122	29	450	620	170	8	33,3	32 x 38 Z8	58	6,48
6GA26	SGOA 3026	30	58	122	29	500	720	220	8	33,3	32 x 38 Z8	58	7,14
6GA29	SGOA 3029	30	58	122	29	540	795	255	8	33,3	32 x 38 Z8	58	7,69



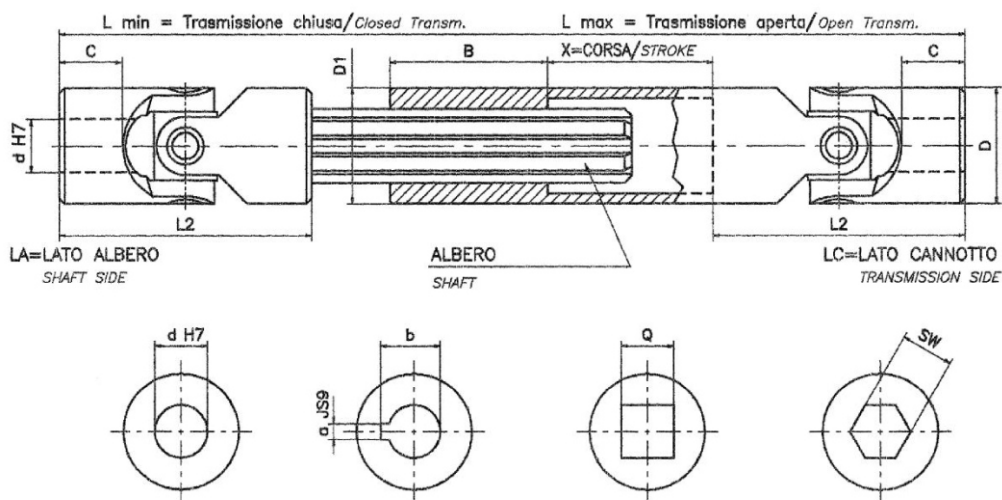
- Giunti serie "G" con bussole di scorrimento anti-usura.
Joints series "G" with wear resistant sliding bushes.

- Lunghezze min. e max. a richiesta:
Min. and max. lengths on request:

$$L. MIN. \geq \frac{L. MAX. + 2 L2 + B}{2}$$

$$CORSA X \geq \frac{L. MAX. - 2 L2 - B}{2}$$

- Esecuzioni speciali a richiesta
Special execution on request.



Mod. Type	d	D	L2	C	L min.	L max.	x	B	a	b	Q	SW	Albero Shaft	D1
					a richiesta - on request									
01GA	6	16	34	8	←	→	—	25	2	7	6	6	SW 8	16
02GA	8	16	40	11	←	→	—	25	2	9	8	8	SW 8	16
03GA	10	22	48	12	←	→	—	30	3	11,4	10	10	11 x 14 Z6	22
04GA	12	25	56	13	←	→	—	40	4	13,8	12	12	13 x 16 Z6	26
05GA	14	28	60	14	←	→	—	40	5	16,3	14	14	13 x 16 Z6	29
1GA	16	32	68	16	←	→	—	40	5	18,3	16	16	16 x 20 Z6	32
2GA	18	36	74	17	←	→	—	40	6	20,8	18	18	18 x 22 Z6	37
3GA	20	42	82	18	←	→	—	45	6	22,8	20	20	21 x 25 Z6	42
4GA	22	45	95	22	←	→	—	45	6	24,8	22	22	23 x 28 Z6	47
5GA	25	50	108	26	←	→	—	45	8	28,3	25	25	26 x 32 Z6	52
6GA	30	58	122	29	←	→	—	50	8	33,3	30	30	32 x 38 Z8	58
7GA	35	70	140	35	←	→	—	70	10	38,3	**	**	36 x 42 Z8	70
8GA	40	80	160	39	←	→	—	80	12	43,3	**	**	42 x 48 Z8	80
9GA	50	95	190	46	←	→	—	90	14	53,8	**	**	46 x 54 Z8	95
03GBA	10	16	52	15	←	→	—	25	3	11,4	8	8	SW 8	16
04GBA	12	22	62	18	←	→	—	30	4	13,8	10	10	11 x 14 Z6	22
1GBA	16	25	74	21	←	→	—	40	5	18,3	12	12	13 x 16 Z6	26
3GBA	20	32	86	24	←	→	—	40	6	22,8	16	16	16 x 20 Z6	32
5GBA	25	42	108	31	←	→	—	45	8	28,3	20	20	21 x 25 Z6	42
6GBA	30	50	132	38	←	→	—	45	8	33,3	25	25	26 x 32 Z6	52
8GBA	40	70	166	47	←	→	—	70	12	43,3	**	**	36 x 42 Z8	70



GIUNTI SINGOLI - INNESTO RAPIDO

Mod. GR: Bussole di Scorrimento

SINGLE JOINTS - QUICK RELEASE

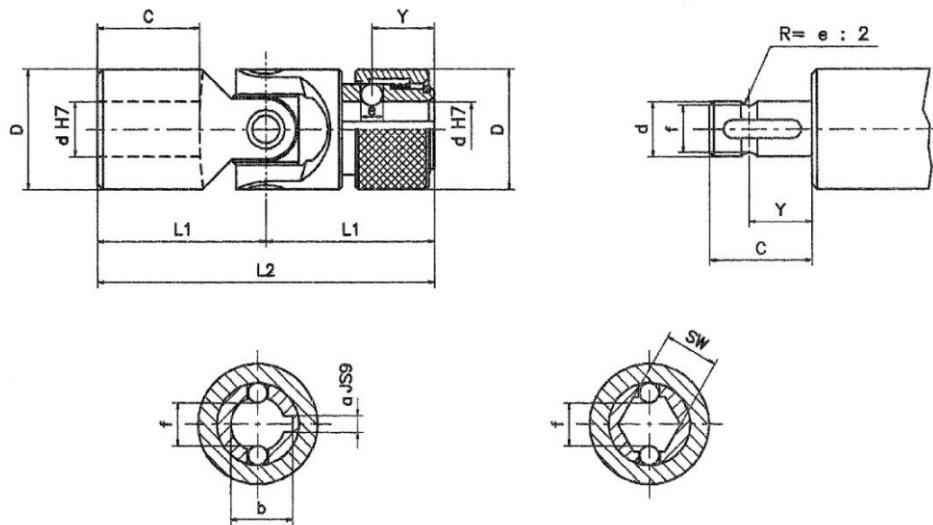
Type GR: Sliding Bushes

serie
series



(DIN 808)

- Giri max. 1000/min.
Max speed 1000 R.P.M.
- Angolo max. 45°
Max. angle 45°



Mod. Type	d	D	L2	L1	C	Y	e	f	Codice / Code	a	b	Codice / Code	SW
02GR	8	16	52	26	14	9,5	3,5	6,3	SGOR 081C	2	9	SGOR 08SW	8
03GR	10	22	62	31	17	11,5	4	8,7 (8)	SGOR 101C	3	11	SGOR 10SW	10 (9,06)
04GR	12	25	74	37	21	13,5	4	11 (10,5)	SGOR 121C	4	13,3	SGOR 12SW	12 (11,15)
05GR	14	25	74	37	21	13,5	4	13	SGOR 141C	5	15,3	SGOR 14SW	14
1GR	16	32	86	43	24	14	6,35	14,8	SGOR 161C	5	17,3	SGOR 16SW	16
2GR	18	36	96	48	28	19	8	16	SGOR 181C	6	19,8	SGOR 18SW	18
3GR	20	42	108	54	31	19	8	18	SGOR 201C	6	22,8	SGOR 20SW	20
4GR	22	45	120	60	34	20,5	10	20	SGOR 221C	6	24,8	SGOR 22SW	22
5GR	25	50	132	66	38	20,5	10	23	SGOR 251C	8	28,3	SGOR 25SW	25
6GR	30	58	166	83	49	25	10	28	SGOR 301C	8	33,3	SGOR 30SW	30

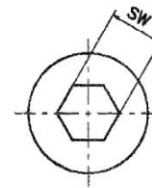
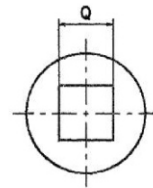
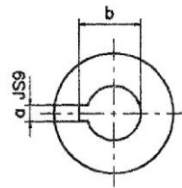
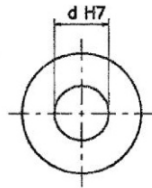
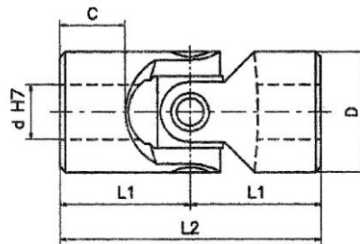


GIUNTI SINGOLI ALTA VELOCITA' CON CUSCINETTI A RULLINI

HIGH SPEED SINGLE JOINTS WITH NEEDLE ROLLER BEARINGS

serie «H»
series (DIN 808)

- Cuscinetti a rullini lubrificati a vita. Nessuna manutenzione
Roller bearings lubricated for life. No maintenance required.
- Precisi e versatili, silenziosi e scorrevoli;
Vasto campo di applicazione.
*Precise and versatile, silent and smooth running;
wide application field.*
- Angolo max 45°. Giri max. 4000/min.
Max angle 45°. Max speed 4000 R.P.M.
- "H" corrispondenti DIN 808 - "HB" corrispondenti DIN 808/7551
"H" to DIN 808 - "HB" to DIN 808/7551
- Esecuzioni speciali a richiesta.
Special execution on request.



Mod. Type	Codice / Code	d	D	L2	L1	C	Codice / Code	Codice / Code	a	b	Codice / Code	Q	* SW	Peso Weight Kg
03H	SHOS 1000	10	22	48	24	12	SHOS 101C	SHOS 102C	3	11,4	SHOS 102Q	10	10	0,10
04H	SHOS 1200	12	25	56	28	13	SHOS 121C	SHOS 122C	4	13,8	SHOS 122Q	12	12	0,16
05H	SHOS 1400	14	28	60	30	14	SHOS 141C	SHOS 142C	5	16,3	SHOS 142Q	14	14	0,20
1H	SHOS 1600	16	32	68	34	16	SHOS 161C	SHOS 162C	5	18,3	SHOS 162Q	16	16	0,30
2H	SHOS 1800	18	36	74	37	17	SHOS 181C	SHOS 182C	6	20,8	SHOS 182Q	18	18	0,45
3H	SHOS 2000	20	42	82	41	18	SHOS 201C	SHOS 202C	6	22,8	SHOS 202Q	20	20	0,60
4H	SHOS 2200	22	45	95	47,5	22	SHOS 221C	SHOS 222C	6	24,8	SHOS 222Q	22	22	0,95
5H	SHOS 2500	25	50	108	54	26	SHOS 251C	SHOS 252C	8	28,3	SHOS 252Q	25	25	1,20
6H	SHOS 3000	30	58	122	61	29	SHOS 301C	SHOS 302C	8	33,3	SHOS 302Q	30	30	1,85
6H1	SHOS 3200	32	58	130	65	33	SHOS 321C	SHOS 322C	10	35,3	SHOS 322Q	30	30	2,00
7H	SHOS 3500	35	70	140	70	35	SHOS 351C	SHOS 352C	10	38,3	—	**	**	3,15
8H	SHOS 4000	40	80	160	80	39	SHOS 401C	SHOS 402C	12	43,3	—	**	**	4,60
9H	SHOS 5000	50	95	190	95	46	SHOS 501C	SHOS 502C	14	53,8	—	**	**	7,60
04HB	SHBS 1200	12	22	62	31	18	SHBS 121C	SHBS 122C	4	13,8	SHBS 102Q	10	10	0,12
1HB	SHBS 1600	16	25	74	37	21	SHBS 161C	SHBS 162C	5	18,3	SHBS 122Q	12	12	0,20
3HB	SHBS 2000	20	32	86	43	24	SHBS 201C	SHBS 202C	6	22,8	SHBS 162Q	16	16	0,35
5HB	SHBS 2500	25	42	108	54	31	SHBS 251C	SHBS 252C	8	28,3	SHBS 202Q	20	20	0,80
6HB	SHBS 3000	30	50	132	66	38	SHBS 301C	SHBS 302C	8	33,3	SHBS 252Q	25	25	1,20
8HB	SHBS 4000	40	70	166	83	47	SHBS 401C	SHBS 402C	12	43,3	—	**	**	2,90

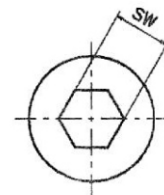
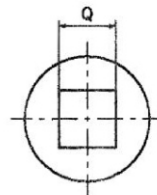
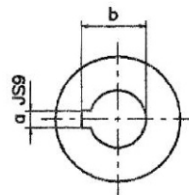
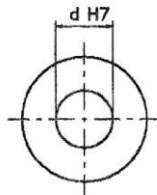
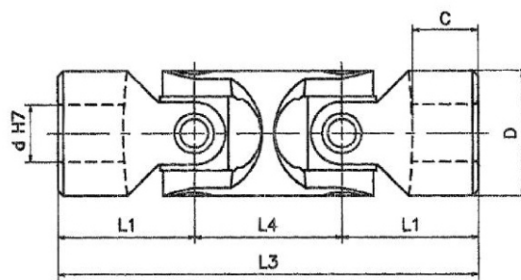


GIUNTI DOPPI ALTA VELOCITA' CON CUSCINETTI A RULLINI

HIGH SPEED DOUBLE JOINTS WITH NEEDLE ROLLER BEARINGS

serie «H»
series (DIN 808)

- Cuscinetti a rullini lubrificati a vita. Nessuna manutenzione
Roller bearings lubricated for life. No maintenance required.
- Precisi e versatili, silenziosi e scorrevoli;
Vasto campo di applicazione.
*Precise and versatile, silent and smooth running;
wide application field.*
- Angolo max 90°. Giri max. 4000/min.
Max angle 90°. Max speed 4000 R.P.M.
- "HD" corrispondenti DIN 808 - "HBD" corrispondenti DIN 808/7551
"HD" to DIN 808 - "HBD" to DIN 808/7551
- Esecuzioni speciali a richiesta.
Special executions on request.



Mod. Type	Codice / Code	d	D	L3	L1	L4	C	Codice / Code	Codice / Code	a	b	Codice / Code	Q	* SW	Peso Weight Kg
03HD	SHOD 1000	10	22	74	24	26	12	SHOD 101C	SHOD 102C	3	11,4	SHOD 102Q	10	10	0,15
04HD	SHOD 1200	12	25	86	28	30	13	SHOD 121C	SHOD 122C	4	13,8	SHOD 122Q	12	12	0,25
05HD	SHOD 1400	14	28	96	30	36	14	SHOD 141C	SHOD 142C	5	16,3	SHOD 142Q	14	14	0,40
1HD	SHOD 1600	16	32	104	34	36	16	SHOD 161C	SHOD 162C	5	18,3	SHOD 162Q	16	16	0,45
2HD	SHOD 1800	18	36	114	37	40	17	SHOD 181C	SHOD 182C	6	20,8	SHOD 182Q	18	18	0,70
3HD	SHOD 2000	20	42	128	41	46	18	SHOD 201C	SHOD 202C	6	22,8	SHOD 202Q	20	20	1,00
4HD	SHOD 2200	22	45	145	47,5	50	22	SHOD 221C	SHOD 222C	6	24,8	SHOD 222Q	22	22	1,55
5HD	SHOD 2500	25	50	163	54	55	26	SHOD 251C	SHOD 252C	8	28,3	SHOD 252Q	25	25	2,00
6HD	SHOD 3000	30	58	190	61	68	29	SHOD 301C	SHOD 302C	8	33,3	SHOD 302Q	30	30	2,90
6HD1	SHOD 3200	32	58	198	65	68	33	SHOD 321C	SHOD 322C	10	35,3	SHOD 322Q	30	30	3,00
7HD	SHOD 3500	35	70	212	70	72	35	SHOD 351C	SHOD 352C	10	38,3	—	**	**	4,75
8HD	SHOD 4000	40	80	245	80	85	39	SHOD 401C	SHOD 402C	12	43,3	—	**	**	7,20
9HD	SHOD 5000	50	95	290	95	100	46	SHOD 501C	SHOD 502C	14	53,8	—	**	**	12,00
04HBD	SHBD 1200	12	22	88	31	26	18	SHBD 121C	SHBD 122C	4	13,8	SHBD 102Q	10	10	0,20
1HBD	SHBD 1600	16	25	104	37	30	21	SHBD 161C	SHBD 162C	5	18,3	SHBD 122Q	12	12	0,30
3HBD	SHBD 2000	20	32	124	43	38	24	SHBD 201C	SHBD 202C	6	22,8	SHBD 162Q	16	16	0,50
5HBD	SHBD 2500	25	42	156	54	48	31	SHBD 251C	SHBD 252C	8	28,3	SHBD 202Q	20	20	1,20
6HBD	SHBD 3000	30	50	188	66	56	38	SHBD 301C	SHBD 302C	8	33,3	SHBD 252Q	25	25	1,70
8HBD	SHBD 4000	40	70	238	83	72	47	SHBD 401C	SHBD 402C	12	43,3	—	**	**	4,30



TRASMISSIONI ALLUNGABILI ALTA VELOCITA' EXTENSIBLE TRANSMISSIONS HIGH SPEED

serie «H»
series (DIN 808)

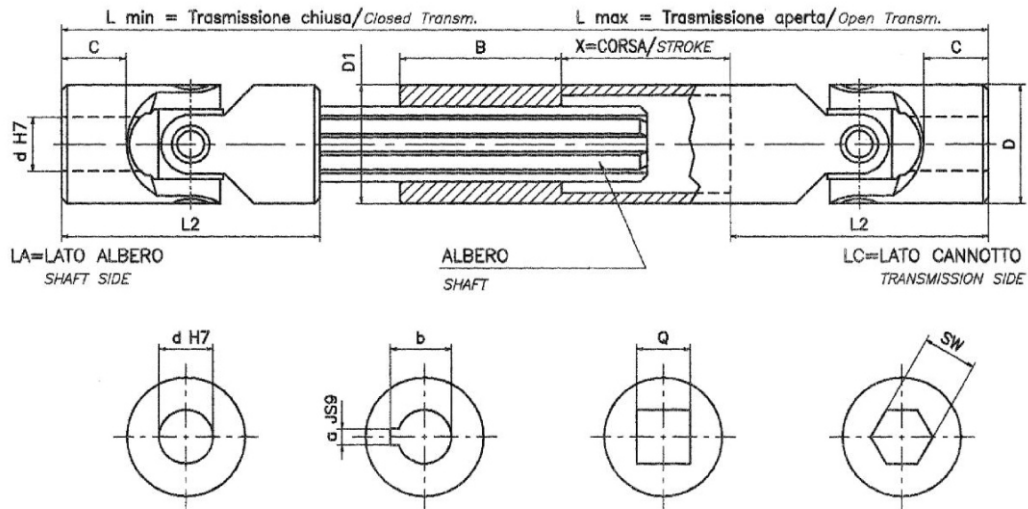
● Giunti serie "H" alta velocità con cuscinetti a rullini.
High speed joints series "H" with needle roller bearings.

● Lunghezze min. e max. a richiesta:
Min. and max. lengths on request:

$$L. MIN. \geq \frac{L. MAX. + 2 L2 + B}{2}$$

$$CORSA X \geq \frac{L. MAX. - 2 L2 - B}{2}$$

● Esecuzioni speciali a richiesta.
Special executions on request.



Mod. Type	d	D	L2	C	L min.	L max.	x	B	a	b	Q	SW	Albero Shaft	D1
					a richiesta - on request									
03HA	10	22	48	12	←	→	—	30	3	11,4	10	10	11 x 14 Z6	22
04HA	12	25	56	13	←	→	—	40	4	13,8	12	12	13 x 16 Z6	26
05HA	14	28	60	14	←	→	—	40	5	16,3	14	14	13 x 16 Z6	29
1HA	16	32	68	16	←	→	—	40	5	18,3	16	16	16 x 20 Z6	32
2HA	18	36	74	17	←	→	—	40	6	20,8	18	18	18 x 22 Z6	37
3HA	20	42	82	18	←	→	—	45	6	22,8	20	20	21 x 25 Z6	42
4HA	22	45	95	22	←	→	—	45	6	24,8	22	22	23 x 28 Z6	47
5HA	25	50	108	26	←	→	—	45	8	28,3	25	25	26 x 32 Z6	52
6HA	30	58	122	29	←	→	—	50	8	33,3	30	30	32 x 38 Z8	58
7HA	35	70	140	35	←	→	—	70	10	38,3	**	**	36 x 42 Z8	70
8HA	40	80	160	39	←	→	—	80	12	43,3	**	**	42 x 48 Z8	80
9HA	50	95	190	46	←	→	—	90	14	53,8	**	**	46 x 54 Z8	95
04HBA	12	22	62	18	←	→	—	30	4	13,8	10	10	11 x 14 Z6	22
1HBA	16	25	74	21	←	→	—	40	5	18,3	12	12	13 x 16 Z6	26
3HBA	20	32	86	24	←	→	—	40	6	22,8	16	16	16 x 20 Z6	32
5HBA	25	42	108	31	←	→	—	45	8	28,3	20	20	21 x 25 Z6	42
6HBA	30	50	132	38	←	→	—	45	8	33,3	25	25	26 x 32 Z6	52
8HBA	40	70	166	47	←	→	—	70	12	43,3	**	**	36 x 42 Z8	70



GIUNTI SINGOLI - INNESTO RAPIDO

Mod. HR: Cuscinetti a rullini

SINGLE JOINTS - QUICK RELEASE

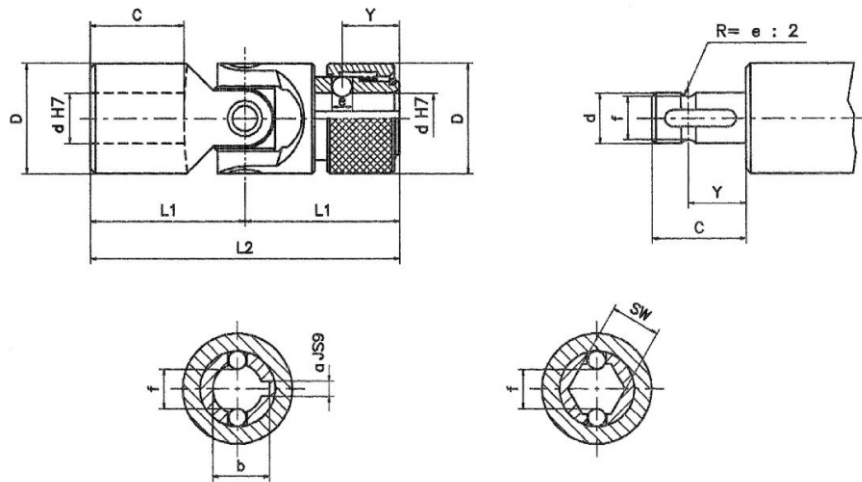
Type HR: Needle Roller Bearings

serie
series

«H»
(DIN 808)

● Giri max. 4000/min.
Max. speed 4000 R.P.M.

● Angolo max. 45°
Max. angle 45°



Mod. Type	d	D	L2	L1	C	Y	e	f	Codice / Code		a	b	Codice / Code		SW
—	—	—	—	—	—	—	—	—	—	—	—	—	—	—	—
03HR	10	22	62	31	17	11,5	4	8,7 (8)	SHOR 101C		3	11	SHOR 10SW		10 (9,06)
04HR	12	25	74	37	21	13,5	4	11 (10,5)	SHOR 121C		4	13,3	SHOR 12SW		12 (11,15)
05HR	14	25	74	37	21	13,5	4	13	SHOR 141C		5	15,3	SHOR 14SW		14
1HR	16	32	86	43	24	14	6,35	14,8	SHOR 161C		5	17,3	SHOR 16SW		16
2HR	18	36	96	48	28	19	8	16	SHOR 181C		6	19,8	SHOR 18SW		18
3HR	20	42	108	54	31	19	8	18	SHOR 201C		6	22,8	SHOR 20SW		20
4HR	22	45	120	60	34	20,5	10	20	SHOR 221C		6	24,8	SHOR 22SW		22
5HR	25	50	132	66	38	20,5	10	23	SHOR 251C		8	28,3	SHOR 25SW		25
6HR	30	58	166	83	49	25	10	28	SHOR 301C		8	33,3	SHOR 30SW		30



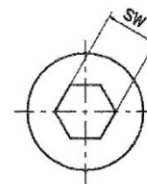
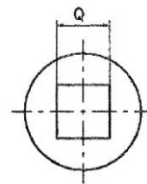
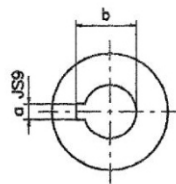
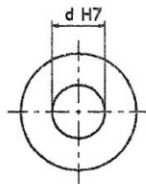
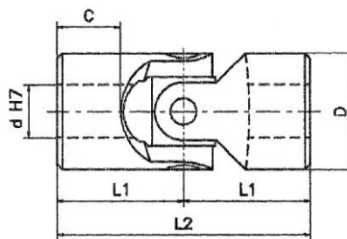
GIUNTI SINGOLI IN ACCIAIO INOX

STAINLESS STEEL SINGLE JOINTS

serie
series



- Angolo max. 45°
Max angle 45°
- Esecuzioni speciali a richiesta.
Special executions on request.



Mod. Type	Codice / Code	d	D	L2	L1	C	a *	b *	Q *	SW *	Peso Weight Kg
01X	SXOS 0600	6	16	34	17	8	2	7	6	6	0,05
02X	SXOS 0800	8	16	40	20	11	2	9	8	8	0,05
03X	SXOS 1000	10	22	48	24	12	3	11,4	10	10	0,10
04X	SXOS 1200	12	25	56	28	13	4	13,8	12	12	0,16
1X	SXOS 1600	16	32	68	34	16	5	18,3	16	16	0,30
3X	SXOS 2000	20	42	82	41	18	6	22,8	20	20	0,60
5X	SXOS 2500	25	50	108	54	26	8	28,3	25	25	1,20
6X	SXOS 3000	30	58	122	61	29	8	33,3	30	30	1,85



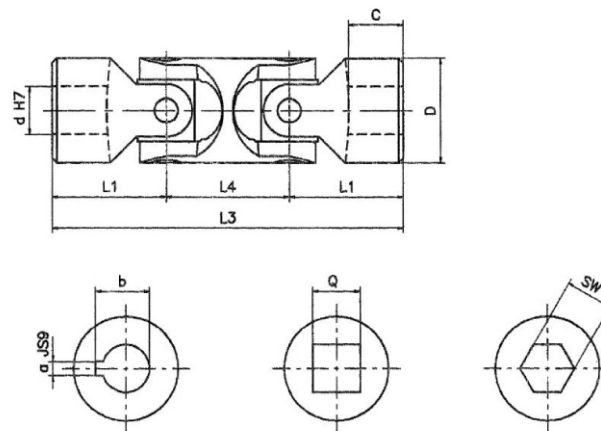
GIUNTI DOPPI IN ACCIAIO INOX

STAINLESS STEEL DOUBLE JOINTS

serie
series



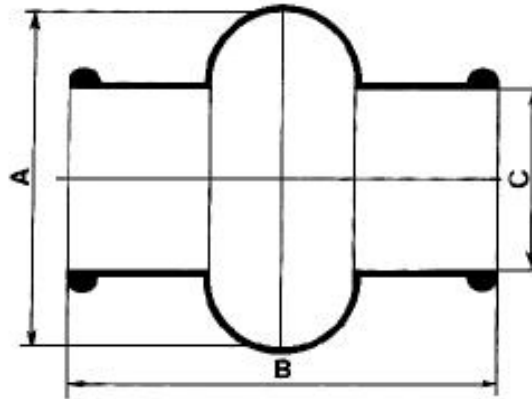
- Angolo max. 90°
Max angle 90°
- Esecuzioni speciali a richiesta.
Special execution on request.



Mod. Type	Codice / Code	d	D	L3	L1	L4	C	a *	b *	Q *	SW *	Peso Weight Kg
01XD	SXOD 0600	6	16	56	17	22	8	2	7	6	6	0,08
02XD	SXOD 0800	8	16	62	20	22	11	2	9	8	8	0,08
03XD	SXOD 1000	10	22	74	24	26	12	3	11,4	10	10	0,15
04XD	SXOD 1200	12	25	86	28	30	13	4	13,8	12	12	0,25
1XD	SXOD 1600	16	32	104	34	36	16	5	18,3	16	16	0,45
3XD	SXOD 2000	20	42	128	41	46	18	6	22,8	20	20	1,00
5XD	SXOD 2500	25	50	163	54	55	26	8	28,3	25	25	2,00
6XD	SXOD 3000	30	58	190	61	68	29	8	33,3	30	30	2,90



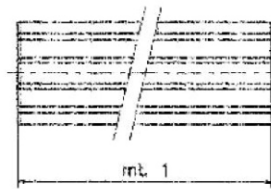
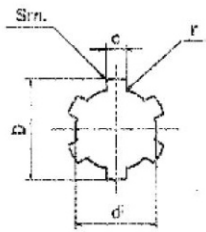
- Gomma speciale al neoprene.
Special neoprene rubber.
- Resistenti a: acidi, oli, grassi, polvere, umidità.
Resistant to: acids, oils, greases, dust, moisture.
- Riempiti di grasso, assicurano una costante lubrificazione.
Filled with grease, they ensure constant lubrication.



Mod. Type	Codice / Code	A	B	C	Diam. est. Giunti Joints out diam. "D"
01M	SMOO 1600	28	34	15	16
02M	SMOO 1800	32	40	16,5	18
03M	SMOO 2200	40	45	20,5	22
04M	SMOO 2500	48	50	24,5	25/26
05M	SMOO 2800	52	56	27,5	28/29
1M	SMOO 3200	56	65	30,5	32
2M	SMOO 3600	66	72	35,5	36/37
3M	SMOO 4200	75	82	40	42
4M	SMOO 4500	84	95	45	45/47
5M	SMOO 5000	92	108	50	50/52
6M	SMOO 5800	100	122	56	58



- Materiale: C40.
Material: C40.
- Lunghezza standard: 1 metro.
Stock length: 1 meter.
- Altre lunghezze a richiesta.
Other lengths on request.



Mod. Type	Codice / Code	D	d	c	Z	Sez. / Section mm ²	Peso/Weight Kg/m	Tolleranze - Tolerances			Sm. 45°	r
								D	d	c		
11AS	SASO 1100	14	11	3	6	121,9	0,949	-0,07 -0,20	0,00 -0,08	0,00 -0,08	0,2	0,2
13AS	SASO 1300	16	13	3,5	6	164,1	1,287	-0,07 -0,20	0,00 -0,08	0,00 -0,08	0,2	0,2
16AS	SASO 1600	20	16	4	6	243,4	1,911	-0,07 -0,25	0,00 -0,08	0,00 -0,08	0,2	0,2
18AS	SASO 1800	22	18	5	6	312,4	2,453	-0,07 -0,25	0,00 -0,08	0,00 -0,08	0,2	0,2
21AS	SASO 2100	25	21	5	6	399,8	3,139	-0,07 -0,27	0,00 -0,08	0,00 -0,08	0,2	0,2
23AS	SASO 2300	28	23	6	6	505,2	3,964	-0,07 -0,27	0,00 -0,08	0,00 -0,08	0,3	0,2
26AS	SASO 2600	32	26	6	6	638,6	5,008	-0,07 -0,27	0,00 -0,08	0,00 -0,08	0,3	0,3
32AS	SASO 3200	38	32	6	8	947,8	7,433	-0,07 -0,27	0,00 -0,08	0,00 -0,08	0,3	0,3
36AS	SASO 3600	42	36	7	8	1185,3	9,302	-0,07 -0,27	0,00 -0,08	0,00 -0,08	0,3	0,3
42AS	SASO 4200	48	42	8	8	1576,7	12,371	-0,07 -0,27	0,00 -0,08	0,00 -0,08	0,3	0,3
46AS	SASO 4600	54	46	9	8	1949	15,300	-0,07 -0,27	0,00 -0,08	0,00 -0,08	0,5	0,5



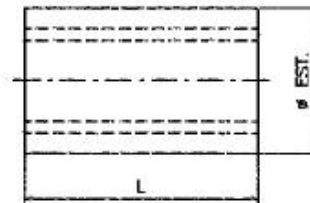
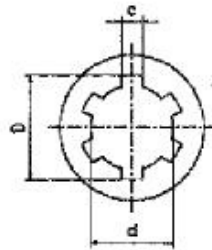
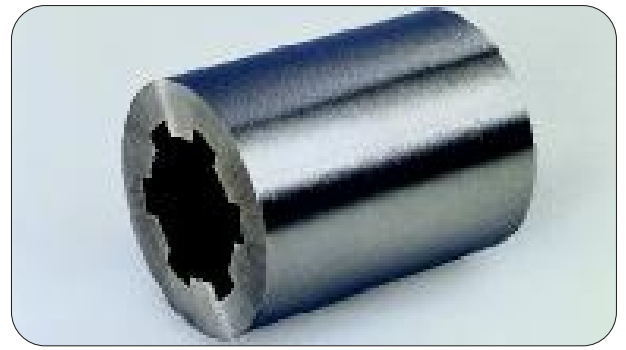
BOCCOLE BROCCIATE

SPLINED BUSHES

serie
series

«BB»

- Materiale: 9 SMnPb 36.
Material: 9 SMnPb 36.
- Esecuzioni speciali a richiesta.
Special executions on request.



Mod. Type	Codice / Code	D	d	c	Z	Ø	TOLL.	L	Rif. uni Uni Ref.	Peso Weight Kg
11BB	SBBO 1100	14	11	3	6	18,75	h8	30	11 UNI	0,033
13BB	SBBO 1300	16	13	3,5	6	21,75	h8	40	13 UNI	0,062
13BB1	SBBO 1301	16	13	3,5	6	24,75	h8	40	13 UNI	0,097
16BB	SBBO 1600	20	16	4	6	27,75	h8	40	16 UNI	0,108
18BB	SBBO 1800	22	18	5	6	31,75	h8	40	18 UNI	0,146
21BB	SBBO 2100	25	21	5	6	35,75	h8	45	21 UNI	0,208
23BB	SBBO 2300	28	23	6	6	39,70	h8	45	23 UNI	0,254
26BB	SBBO 2600	32	26	6	6	44,70	h8	45	26 UNI	0,322
32BB	SBBO 3200	38	32	6	8	49,70	h8	50	32 UNI	0,380
36BB	SBBO 3600	42	36	7	8	59,70	h8	70	36 UNI	0,880
42BB	SBBO 4200	48	42	8	8	69,70	h8	80	42 UNI	1,380
46BB	SBBO 4600	54	46	9	8	81,70	h8	90	46 UNI	2,324



CRITERI DI SCELTA

L' applicazione del giunto a snodo singolo a due alberi formanti un angolo (di cui quello movente ruota a velocità costante) dà luogo ad una variazione periodica dell' albero comandato e precisamente a quattro fluttuazioni per giro. Lo scarto, ossia la differenza di velocità massima e minima dell'albero condotto, è in funzione dell'angolo formato dai due alberi. La difformità cresce con l'aumentare dell'angolo α° .

Per rendere la trasmissione omocinetica si impiegano due giunti a snodo singolo contrapposti (tenendo presente che le due forcelle centrali devono risultare complanari e gli angoli dei due giunti uguali), oppure un giunto a snodo doppio.

L'irregolarità prodotta dalla prima articolazione viene annullata dalla seconda. La lunghezza di ingombro dovuta all'accoppiamento di due giunti singoli è ridotta ulteriormente, impiegando il giunto doppio. In altri termini, il giunto doppio è da considerarsi la trasmissione omocinetica più corta in assoluto.

Per applicazioni a bassi regimi di rotazione (Max. 1000/min.) si consiglia l'impiego di giunti con cuscinetti pieni a strisciamento (Mod. S, G/GB).

Hanno la capacità di sopportare carichi d'urto, inversioni di moto, funzionamenti discontinui e momenti torcenti relativamente elevati.

Si tenga presente che l'angolo di lavoro deve essere contenuto a partire dai 500 fino ai 1000 giri/min.

Per velocità di rotazione elevate, momenti torcenti relativamente bassi o angoli rilevanti, si consiglia l'utilizzo dei giunti con cuscinetti a rullini (mod. H).

Possano raggiungere i 4000 giri/min. sempre in funzione dell'angolo.

LETTURA DEI DIAGRAMMI

La capacità di un giunto di trasmettere una certa coppia regolare ad un carico costante e senza urti, per un periodo di tempo più o meno lungo, dipende essenzialmente dal numero di giri al minuto primo e dall'angolo α° di inclinazione dei due assi. In base a questo criterio sono stati concepiti i diagrammi riportati nelle pag. 24 - 25.

Ogni curva corrisponde alla grandezza di un giunto con riferimento al diametro «D» esterno del mozzo e rappresenta la coppia trasmissibile dipendente dalla velocità e dall'angolo di lavoro α° .

I diagrammi possono essere letti direttamente con angolo $\alpha^\circ=10^\circ$.

Per angoli superiori, le coppie trasferibili diminuiscono. Pertanto i valori vanno corretti utilizzando i fattori (F) relativi all'angolo, riportati nella tabella.

N.B.: I diagrammi riportano valori puramente indicativi e riferiti all'impiego di giunti singoli. Per quanto riguarda la scelta di un giunto doppio, si consideri che la coppia trasmissibile è inferiore a quella del giunto singolo di pari diametro esterno, nella misura di circa il 10%. Ogni applicazione ha caratteristiche di moto particolari, quali carichi d'urto, inversioni di moto, masse collegate, tipo di avviamento, presenza di giunti elastici, partenze e fermate, ecc., che l'utilizzatore dovrà considerare nell'effettuare la scelta.

SELECTING CRITERIA

When we couple one single joint with two shafts (of which the driving one is rotating at a constant speed) forming an angle, we cause a periodic variation of the driven shaft, exactly four fluctuations per revolution.

The difference between the maximum and the minimum speed of the driven shaft depends on the angle formed by the two shafts. The difference grows with the increasing of the angle α° .

To have a homokinetic transmission, you have to fit either two opposite single joints (paying attention that the two central yokes lie on the same plane and the angles are equal) or a double joint.

The irregularity caused by the former articulation is cancelled by the latter. The overall length resulting from the coupling of the two single joints is even more reduced using a double joint. In other words, the double joint is to be considered as the shortest homokinetic transmission.

For low speed applications (Max 1000 R.P.M.) joints with plain bearings (rubbing bearings) are suggested: types S, G/GB. They are able to support shock loads, motion reversals, irregular runnings and relatively high torques. The working angles must be kept between 500 and 1000 R.P.M.

For high rotation speeds, relatively low torques or wide angles, joints with needle roller bearings (type H) are to be preferred. They can reach 4000 R.P.M. always relating to the angle.

HOW TO READ DIAGRAMS

The joint capacity to transmit a regular torque at a constant load with no shocks, for a more or less long period, mainly depends on the number of revolutions per minute and the inclination angle α° of the two axes.

The diagrams on pages 24 - 25 have been conceived on the base of this criterium.

Each curve corresponds to the joint size (outside diameter «D») and represents the torque that the joint can transmit depending on speed and working angle α° .

The diagrams can be directly read if angle (α°) is 10° . For wider angles, torques are reduced, therefore the values are to be corrected using the correction factors (F) relating to the angle shown in the table.

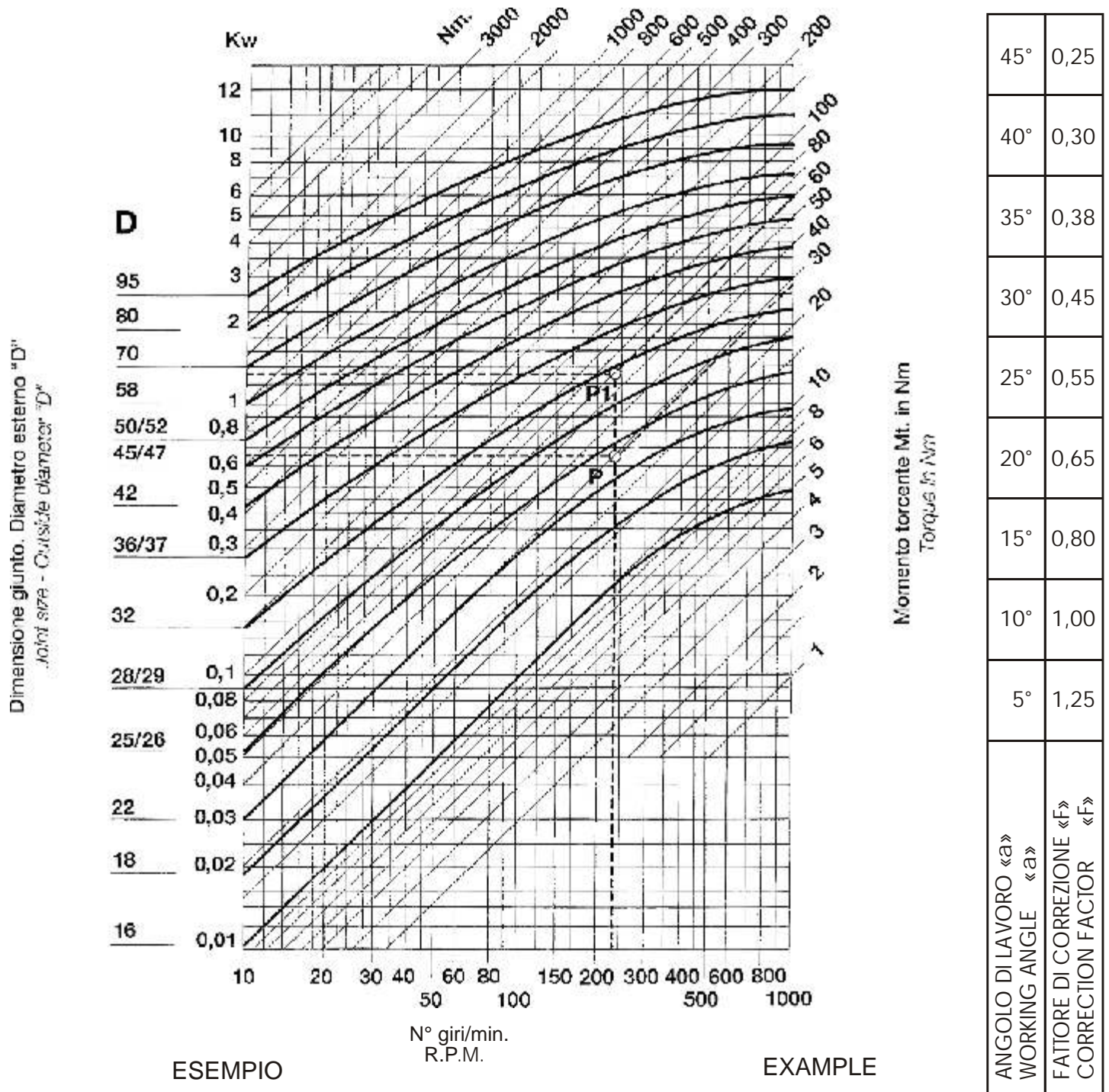
IMPORTANT: Diagrams' values are merely indicative and are referred to the single joints only. When choosing a double joint, you have to consider that this one can transmit a torque about 10% lower than the same sized single joints. Each application has its own particular motion characteristics, such as: shock loads, motion reversals, connected masses, kind of starting, presence of elastic joints, stops and starts, etc., that have to be considered by the user when choosing the joint.



DIAGRAMMA PER GIUNTI

DIAGRAM FOR JOINTS

serie «S-G»
series



45°	0,25
40°	0,30
35°	0,38
30°	0,45
25°	0,55
20°	0,65
15°	0,80
10°	1,00
5°	1,25
ANGOLO DI LAVORO «a» WORKING ANGLE «a»	
FATTORE DI CORREZIONE «F» CORRECTION FACTOR «F»	

ESEMPIO

EXAMPLE

- Potenza: 0,65 KW
- N° giri/min.: 230
- Con angolo di lavoro a 10° Fattore F=1 si ottiene il punto P Mt = 27 Nm corrispondente alla grandezza del giunto «D» = 25/26 mm. = Mod. 04S, 04G, 1GB.
- Con angolo di lavoro a 30° Fattore F=0,45 (Kw 0,65 : 0,45 = 1,44 Kw) si ottiene il punto P1 Mt = 60 Nm corrispondente alla grandezza del giunto «D» = 32 mm. = Mod. 1S, 1G, 3GB.

- Power: 0.65 KW
- R.P.M.: 230
- With working angle a 10° Factor F=1 we get point P. Torque = 27 Nm corresponding to joint size «D» = 25/26 mm. = Types 04S, 04G, 1GB.
- With working angle a 30° Factor F= 0.45 (Kw 0.65 : 0.45 = 1.44 Kw) we get point P1 Torque = 60 Nm corresponding to joint size «D» = 32 mm. = Types 1S, 1G, 3GB.

Si consideri che: $Mt. \text{ in Nm} = 9550 \times \frac{N \text{ (KW)}}{n^\circ \text{ (Giri/min.)}}$

Consider that: $Torque \text{ in Nm} = 9550 \times \frac{Power \text{ (KW)}}{R.P.M.}$

$Mt. \text{ in Nm} = 7020 \times \frac{N \text{ (HP)}}{n^\circ \text{ (Giri/min.)}}$

$Torque \text{ in Nm} = 7020 \times \frac{Power \text{ (HP)}}{R.P.M.}$

N° 1 KW = 1,35 HP - N° 1 HP = 0,736 KW
N° 1Kgm = 9,81 Nm - N° 1 Nm = 0,102 Kgm



CRITERI DI SCELTA

L' applicazione del giunto a snodo singolo a due alberi formanti un angolo (di cui quello movente ruota a velocità costante) dà luogo ad una variazione periodica dell' albero comandato e precisamente a quattro fluttuazioni per giro. Lo scarto, ossia la differenza di velocità massima e minima dell'albero condotto, è in funzione dell'angolo formato dai due alberi. La difformità cresce con l'aumentare dell'angolo α° .

Per rendere la trasmissione omocinetica si impiegano due giunti a snodo singolo contrapposti (tenendo presente che le due forcelle centrali devono risultare complanari e gli angoli dei due giunti uguali), oppure un giunto a snodo doppio.

L'irregolarità prodotta dalla prima articolazione viene annullata dalla seconda. La lunghezza di ingombro dovuta all'accoppiamento di due giunti singoli è ridotta ulteriormente, impiegando il giunto doppio. In altri termini, il giunto doppio è da considerarsi la trasmissione omocinetica più corta in assoluto.

Per applicazioni a bassi regimi di rotazione (Max. 1000/min.) si consiglia l'impiego di giunti con cuscinetti pieni a strisciamento (Mod. S, G/GB).

Hanno la capacità di sopportare carichi d'urto, inversioni di moto, funzionamenti discontinui e momenti torcenti relativamente elevati.

Si tenga presente che l'angolo di lavoro deve essere contenuto a partire dai 500 fino ai 1000 giri/min.

Per velocità di rotazione elevate, momenti torcenti relativamente bassi o angoli rilevanti, si consiglia l'utilizzo dei giunti con cuscinetti a rullini (mod. H).

Possano raggiungere i 4000 giri/min. sempre in funzione dell'angolo.

LETTURA DEI DIAGRAMMI

La capacità di un giunto di trasmettere una certa coppia regolare ad un carico costante e senza urti, per un periodo di tempo più o meno lungo, dipende essenzialmente dal numero di giri al minuto primo e dall'angolo α° di inclinazione dei due assi. In base a questo criterio sono stati concepiti i diagrammi riportati nelle pag. 24 - 25.

Ogni curva corrisponde alla grandezza di un giunto con riferimento al diametro «D» esterno del mozzo e rappresenta la coppia trasmissibile dipendente dalla velocità e dall'angolo di lavoro α° .

I diagrammi possono essere letti direttamente con angolo $\alpha^\circ=10^\circ$.

Per angoli superiori, le coppie trasferibili diminuiscono. Pertanto i valori vanno corretti utilizzando i fattori (F) relativi all'angolo, riportati nella tabella.

N.B.: I diagrammi riportano valori puramente indicativi e riferiti all'impiego di giunti singoli. Per quanto riguarda la scelta di un giunto doppio, si consideri che la coppia trasmissibile è inferiore a quella del giunto singolo di pari diametro esterno, nella misura di circa il 10%. Ogni applicazione ha caratteristiche di moto particolari, quali carichi d'urto, inversioni di moto, masse collegate, tipo di avviamento, presenza di giunti elastici, partenze e fermate, ecc., che l'utilizzatore dovrà considerare nell'effettuare la scelta.

SELECTING CRITERIA

When we couple one single joint with two shafts (of which the driving one is rotating at a constant speed) forming an angle, we cause a periodic variation of the driven shaft, exactly four fluctuations per revolution.

The difference between the maximum and the minimum speed of the driven shaft depends on the angle formed by the two shafts. The difference grows with the increasing of the angle α° .

To have a homokinetic transmission, you have to fit either two opposite single joints (paying attention that the two central yokes lie on the same plane and the angles are equal) or a double joint.

The irregularity caused by the former articulation is cancelled by the latter. The overall length resulting from the coupling of the two single joints is even more reduced using a double joint. In other words, the double joint is to be considered as the shortest homokinetic transmission.

For low speed applications (Max 1000 R.P.M.) joints with plain bearings (rubbing bearings) are suggested: types S, G/GB. They are able to support shock loads, motion reversals, irregular runnings and relatively high torques. The working angles must be kept between 500 and 1000 R.P.M.

For high rotation speeds, relatively low torques or wide angles, joints with needle roller bearings (type H) are to be preferred. They can reach 4000 R.P.M. always relating to the angle.

HOW TO READ DIAGRAMS

The joint capacity to transmit a regular torque at a constant load with no shocks, for a more or less long period, mainly depends on the number of revolutions per minute and the inclination angle α° of the two axes.

The diagrams on pages 24 - 25 have been conceived on the base of this criterium.

Each curve corresponds to the joint size (outside diameter «D») and represents the torque that the joint can transmit depending on speed and working angle α° .

The diagrams can be directly read if angle (α°) is 10° . For wider angles, torques are reduced, therefore the values are to be corrected using the correction factors (F) relating to the angle shown in the table.

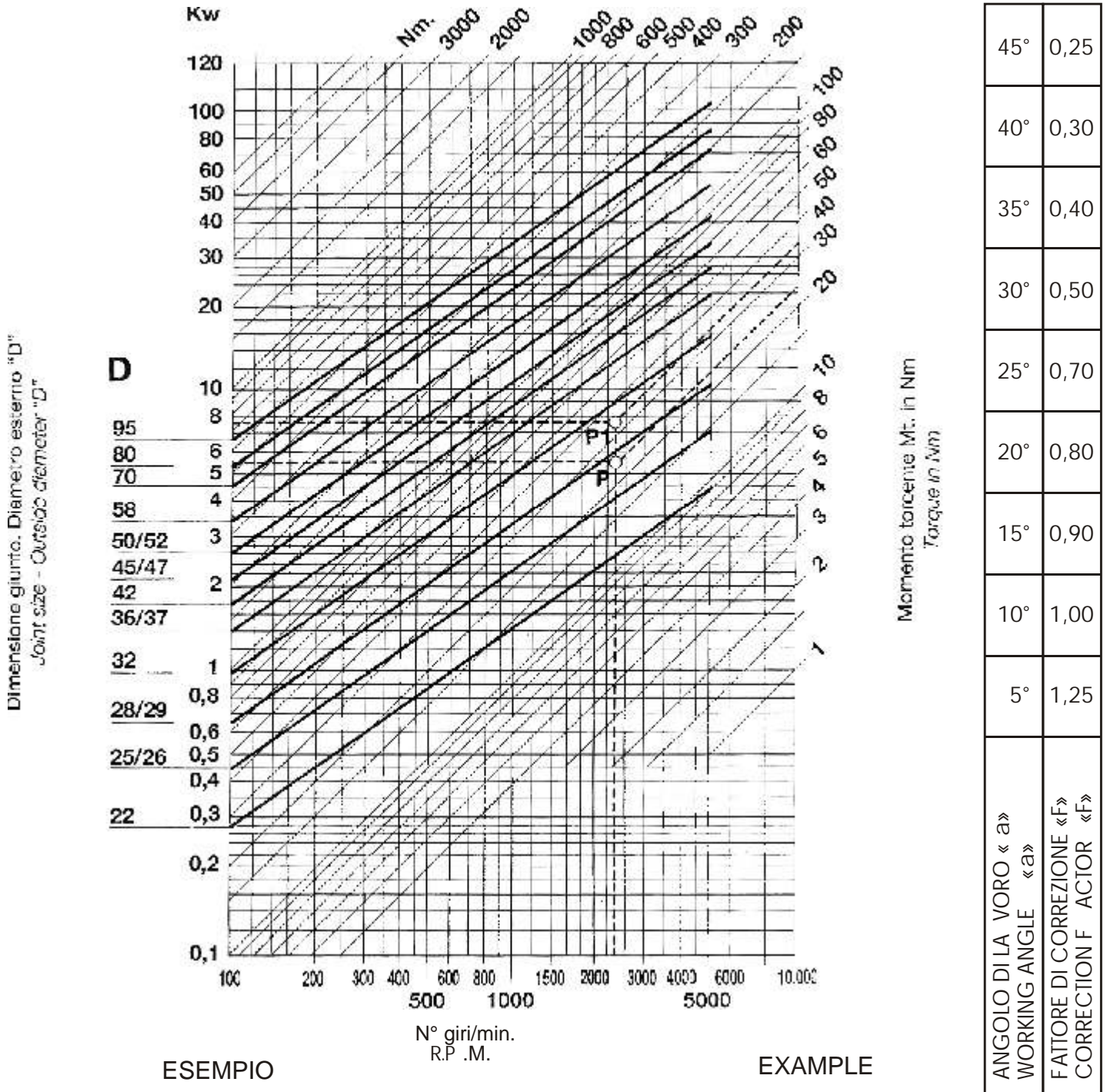
IMPORTANT: Diagrams' values are merely indicative and are referred to the single joints only. When choosing a double joint, you have to consider that this one can transmit a torque about 10% lower than the same sized single joints. Each application has its own particular motion characteristics, such as: shock loads, motion reversals, connected masses, kind of starting, presence of elastic joints, stops and starts, etc., that have to be considered by the user when choosing the joint.



DIAGRAMMA PER GIUNTI

DIAGRAM FOR JOINTS

serie «H»
series



ESEMPIO

EXAMPLE

- Potenza: 5,5 KW
- N° giri/min.: 2300
- Con angolo di lavoro a 10° Fattore F=1 si ottiene il punto P Mt = 23 Nm corrispondente alla grandezza del giunto «D» = 28/29 mm. = Mod. 05H, 1HB.
- Con angolo di lavoro a 25° Fattore F= 0,70 (Kw 5,5 : 0,70 = 7,85 Kw) si ottiene il punto P1 Mt = 33 Nm corrispondente alla grandezza del giunto «D» = 32 mm. = Mod. 1H, 3HB.

- Power: 5.5 KW
- R.P.M.: 2300
- With working angle a 10° Factor F=1 we get point P. Torque = 23 Nm corresponding to joint size «D» = 28/29 mm. = Types 05H, 1HB.
- With working angle a 25° Factor F= 0.70 (Kw 5.5 : 0.70 = 7.85 Kw) we get point P1 Torque = 33 Nm corresponding to joint size «D» = 32 mm. = Types 1H, 3HB.

Si consideri che: Mt. in Nm = 9550 x $\frac{N (KW)}{n^\circ (Giri/min.)}$

Consider that: Torque in Nm = 9550 x $\frac{Power (KW)}{R.P.M.}$

Mt. in Nm = 7020 x $\frac{N (HP)}{n^\circ (Giri/min.)}$

Torque in Nm = 7020 x $\frac{Power (HP)}{R.P.M.}$

N° 1 KW = 1,35 HP - N° 1 HP = 0,736 KW
N° 1KgM = 9,81 Nm - N° 1 Nm = 0,102 KgM

ISTRUZIONI PER UN CORRETTO MONTAGGIO

INSTRUCTIONS FOR A CORRECT FITTING UP

FIGURA 1
PICTURE

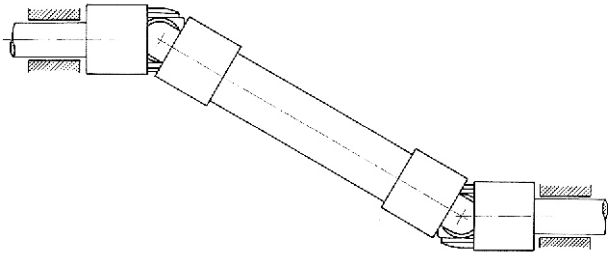
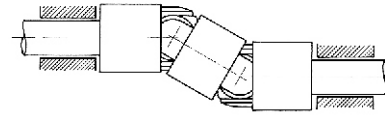


FIGURA 2
PICTURE



- a) Per ottenere un moto rotatorio uniforme impiegare sempre due giunti singoli contrapposti oppure un giunto a snodo doppio. I supporti degli alberi vanno posizionati il più vicino possibile ai giunti (vedi FIGURE 1 e 2).
To obtain a uniform rotary motion always use either two opposite single joints or one double joint. The pillow blocks are to be positioned as close as possible to the joints (see PICTURES 1 and 2).

FIGURA 3
PICTURE

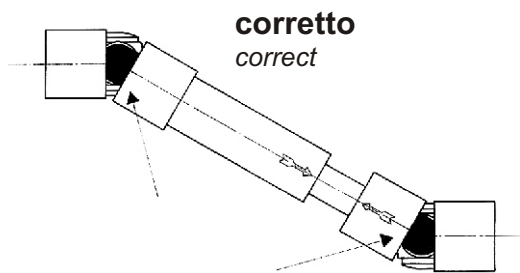
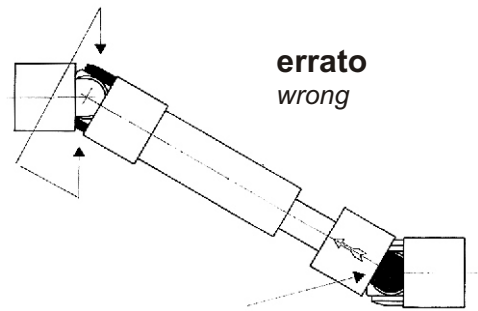


FIGURA 4
PICTURE



- b) Impiegando due giunti singoli contrapposti rispettare l'allineamento delle forcelle interne. Negli alberi allungabili osservare inoltre che le frecce stampigliate combacino (vedi FIGURA 3 CORRETTO, FIGURA 4 ERRATO).
When using two opposite single joints respect the alignment of the inside yokes. In extensible transmissions also pay attention that the little arrows stamped tally (see PICTURE 3 CORRECT, PICTURE 4 WRONG).

FIGURA 5
PICTURE

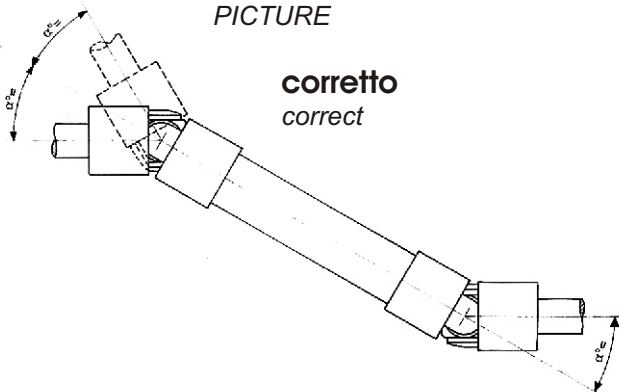
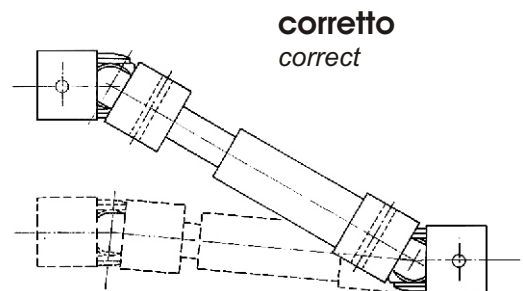


FIGURA 6
PICTURE



- c) b) Gli angoli di articolazione α° devono essere uguali (vedi FIGURA 5). Gli alberi possono spostarsi fra di loro solo parallelamente oppure simmetricamente. I fori spina non devono essere praticati in corrispondenza delle forcelle per evitare il loro danneggiamento (vedi FIGURA 6).
The joint angles α° must be equal (see PICTURE 5). The shafts can only be moved one from the other either parallelly or symmetrically. Pin holes must not be executed over the yokes to avoid their damaging (see PICTURE 6).