



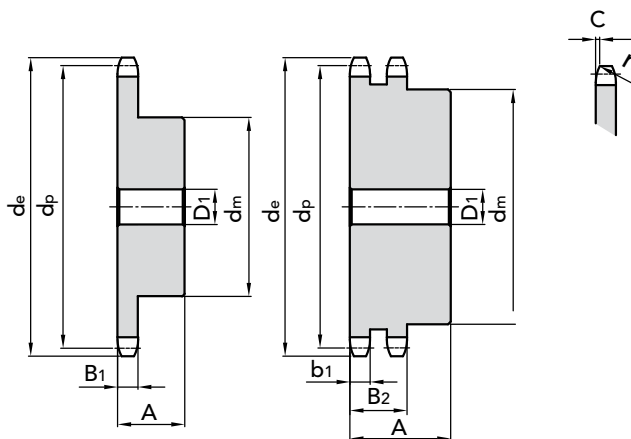
pitch 3/8" x 3/16"

CHAIN SPROCKETS

Tooth radius r_3	10	mm
Radius width \check{C}	1,2	mm
Sprockets tooth width B_1	4,4	mm
Sprockets tooth width b_1	4,3	mm
Sprockets tooth width B_2	14,4	mm

CHAIN

Pitch	9,525	mm
Inner width	4,77	mm
Roller \varnothing	5,08	mm



SIMPLES

DOUBLE

Z	d _e	d _p	PART NUMBER	d _m	D ₁	A	kg.	PART NUMBER	d _m	D ₁	A	kg.
8												
9	31,50	27,85	11103009	18	8	20	0,05					
10	35,70	30,82	11103010	20	8	22	0,05	11203010	20	8	22	0,15
11	38,69	33,80	11103011	22	8	25	0,08	11203011	22	10	25	0,15
12	41,68	36,80	11103012	25	8	25	0,10					
13	44,68	39,80	11103013	28	10	25	0,12	11203013	28	10	25	0,16
14	47,68	42,80	11103014	31	10	25	0,15	11203014	31	10	25	0,19
15	50,69	45,81	11103015	34	10	25	0,19	11203015	34	10	25	0,23
16	53,70	48,82	11103016	37	10	28	0,24	11203016	37	12	30	0,27
17	56,72	51,83	11103017	38	10	28	0,28	11203017	40	12	30	0,31
18	59,73	54,85	11103018	38	10	28	0,32	11203018	43	12	30	0,36
19	62,75	57,87	11103019	46	10	28	0,36	11203019	46	12	30	0,42
20	65,77	60,89	11103020	46	10	28	0,38	11203020	49	12	30	0,42
21	68,79	63,91	11103021	46	10	28	0,41	11203021	52	12	30	0,51
22	71,81	66,93	11103022	52	12	28	0,45	11203022	55	12	30	0,57
23	74,83	69,95	11103023	52	12	28	0,49	11203023	58	12	30	0,64
24	77,85	72,97	11103024	52	12	28	0,54	11203024	61	12	30	0,71
25	80,88	76,00	11103025	58	12	28	0,60	11203025	64	12	30	0,78
26	83,90	79,02	11103026	58	12	28	0,66	11203026	67	12	30	0,78
27	86,93	82,04	11103027	58	12	28	0,67	11203027	70	12	30	0,94
28	89,95	85,07	11103028	60	12	28	0,68	11203028	73	12	30	1,02
30	96,00	91,12	11103030	60	12	28	0,71					
31	97,9	94,15	11103031	65	14	30	0,87	11203031	80	16	30	1,02
32	100,9	97,17	11103032	65	14	30	0,86	11203032	80	16	30	1,31
33	103,9	100,20	11103033	65	14	30	1,13					
34	106,9	103,23						11203034	80	16	30	1,42
35	110,0	106,26	11103035	65	14	30	0,94	11203035	80	16	30	1,48
36	114,17	109,29	11103036	70	16	30	1,05					
37	116,0	112,32	11103037	70	16	30	1,09					
38	119,0	115,34	11103038	70	16	30	1,08	11203038	90	16	30	1,48
39	122,1	118,37	11103039	70	16	30	1,10	11203039	90	16	30	1,48
40												

MATERIAL C 45 UNI 7845

CAD drawings available on our site
www.chiaravalli.com

Quantity, availability and prices
 on B2B Chiaravalli



CHAIN SPROCKETS ASA 35 pitch 3/8" x 3/16" for roller chains in compliance with DIN 8188 - ISO/R 606 - ANSI B 29.1



PLATEWHEELS ASA 35 pitch 3/8" x 3/16" for roller chains in compliance with DIN 8188 - ISO/R 606 - ANSI B 29.1

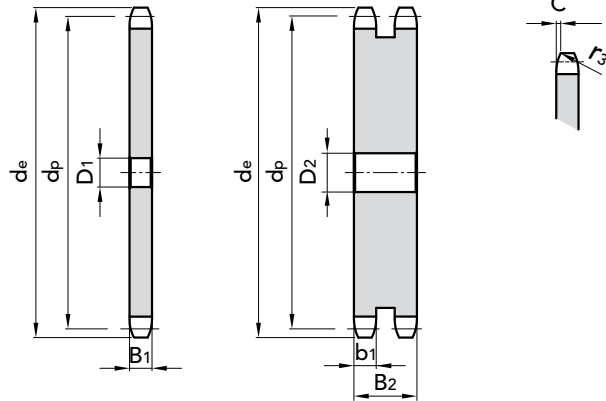
pitch 3/8" x 3/16" ASA 35

PLATEWHEEL

Tooth radius r_3	10	mm
Radius width C	1,2	mm
Plate tooth width B_1	4,4	mm
Plate tooth width b_1	4,3	mm
Plate tooth width B_2	14,4	mm

CHAIN

Pitch	9,525	mm
Inner width	4,77	mm
Roller \varnothing	5,08	mm



SIMPLE

Z	D ₁	d _e	d _p	P. NUMBER	kg.
9	8	31,50	27,85	21103009	0,015
11	8	38,69	33,80	21103011	0,020
12	8	41,68	36,80	21103012	0,029
15					
16	10	53,70	48,82	21103016	0,054
18	10	59,73	54,85	21103018	0,069
20					
22	12	71,81	66,93	21103022	0,107
25					
26	12	83,90	79,02	21103026	0,150
30	12	96,00	91,12	21103030	0,250
32	12	102,06	97,09	21103032	0,290
34	12	108,11	103,23	21103034	0,310
35	12	110,2	105,3	21103035	0,320
36	12	114,2	109,29	21103036	0,340
38	12	120,2	115,34	21103038	0,360
40	12	126,3	121,40	21103040	0,385
42	12	132,0	127,5	21103042	0,410
44	12	138,0	134,0	21103044	0,448
45					
46	16	144,0	140,0	21103046	0,430
48	16	150,5	145,64	21103048	0,540
54	20	165,0	161,0	21103054	0,640
57	20	177,8	172,91	21103057	0,710
72	20	223,0	218,0	21103072	1,195
76					
80	20	247,0	242,0	21103080	1,400
85	25	262,0	257,0	21103085	1,710
90	25	278,0	273,0	21103090	2,000
95	25	293,0	289,0	21103095	2,150
114	25	350,0	346,0	21103114	4,860
120	20	384,0	380,0	21103120	5,420

DOUBLE

Z	D ₁	d _e	d _p	P. NUMBER	kg.
9					
11					
12					
15					
16					
18					
20					
22					
25					
26					
30	12	96,00	91,12	21203030	0,80
32					
34					
35					
36					
38	14	120,22	115,34	21203038	1,00
40					
42					
44	16	138,9	133,5	21203044	1,20
45	16	141,43	136,55	21203045	1,47
46					
48					
54	16	169,3	163,8	21203054	2,162
57	16	177,79	172,91	21203057	2,35
70	16	217,8	212,3	21203070	3,70
72					
76	16	235,37	230,49	21203076	4,10

MATERIAL **FE / C45**

Ask for specific needs.

CAD drawings available on our site
www.chiaravalli.com

Quantity, availability and prices
 on B2B Chiaravalli

