

SPANN-BOY®

with sprocket



40mm

44mm

Applications

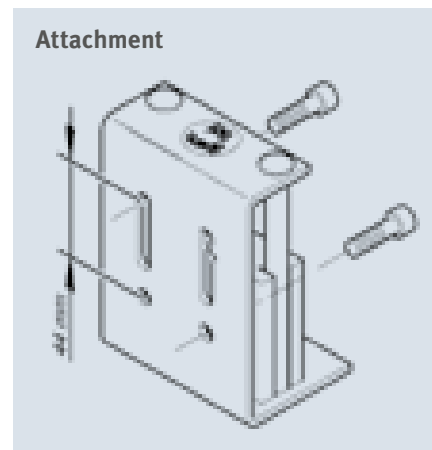
- For applications with restricted free space beneath the chain
- High chain speeds (>1m/s)
- Small return radii

Tensioning pressure

- Heavy spring force

Attachment

- Installed next to the chain
- Bore holes in the housing



DIN 8187 chain no.	Number of teeth	Heavy tension force article no.	Availability
06B-1	20	281 240 007	●
06B-1	21	281 240 001	●
06B-1	23	281 240 008	●
08B-1	16	281 240 009	●
08B-1	17	281 240 010	●
08B-1	18	281 240 002	●
10B-1	14	281 240 011	●
10B-1	15	281 240 012	●
10B-1	16	281 240 013	●
10B-1	17	281 240 003	●
12B-1	13	281 240 014	●
12B-1	15	281 240 004	●
12B-1	16	281 240 015	●
12B-1	17	281 240 016	●

Special and stainless steel designs on request

● Stocked ○ Available within 10 days

