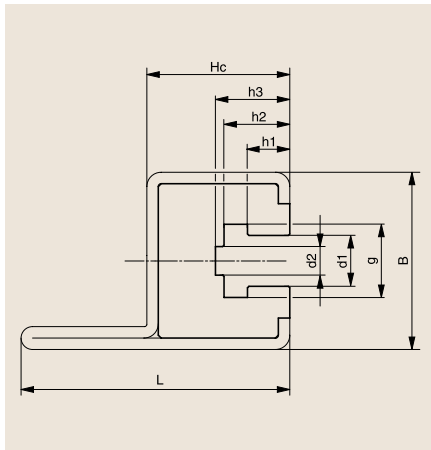


# TYPE CKG 14 H

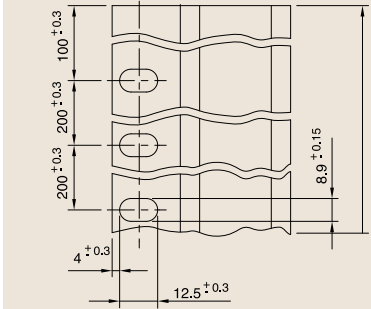


DIN 8187 chain no.	Chain dimensions in inches	C profile type	B	Hc	L	d1	d2	g	h1	h2	h3	Article no.	Availability
-	3/8" x 5/32"	C14H	31	25	47	6.6	4	9.4	3.6	7.0	8.0	221 410 023 351 020 014	● ●
06B-1	3/8" x 7/32"	C14H	31	25	47	6.6	4	9.4	5.5	8.9	10.0	221 410 012 351 020 014	● ●
083-1	1/2" x 3/16"	C14H	31	25	47	8.0	5	10.8	4.5	8.0	9.5	221 410 024 351 020 014	● ●
085-1	1/2" x 1/4"	C14H	31	25	47	8.0	5	11.8	6.2	9.8	11.3	221 410 025 351 020 014	●
g=12.8mm	1/2" x 1/4"	C14H	31	25	47	8.8	5	12.8	6.2	10.2	11.7	221 410 026 351 020 014	● ●
08B-1	1/2" x 5/16"	C14H	31	25	47	8.9	5	12.8	7.4	11.5	13.0	221 410 013 351 020 014	● ●
-	5/8" x 1/4"	C14H	31	25	47	10.6	6	15.4	6.2	10.2	11.6	221 410 027 351 020 014	● ●
10B-1	5/8" x 3/8"	C14H	31	25	47	10.6	6	15.4	9.3	13.5	14.9	221 410 014 351 020 014	● ●
12B-1	3/4" x 7/16"	C14H	31	25	47	12.4	7	17.0	11.3	15.9	17.5	221 410 015 351 020 014	● ●

● Stocked ○ Available within 10 days Dimensions in mm



Punch hole in mounting rail



Hole spacing aggregate tolerances: Max. 0.75mm/m