



Approved Performance from Rexnord

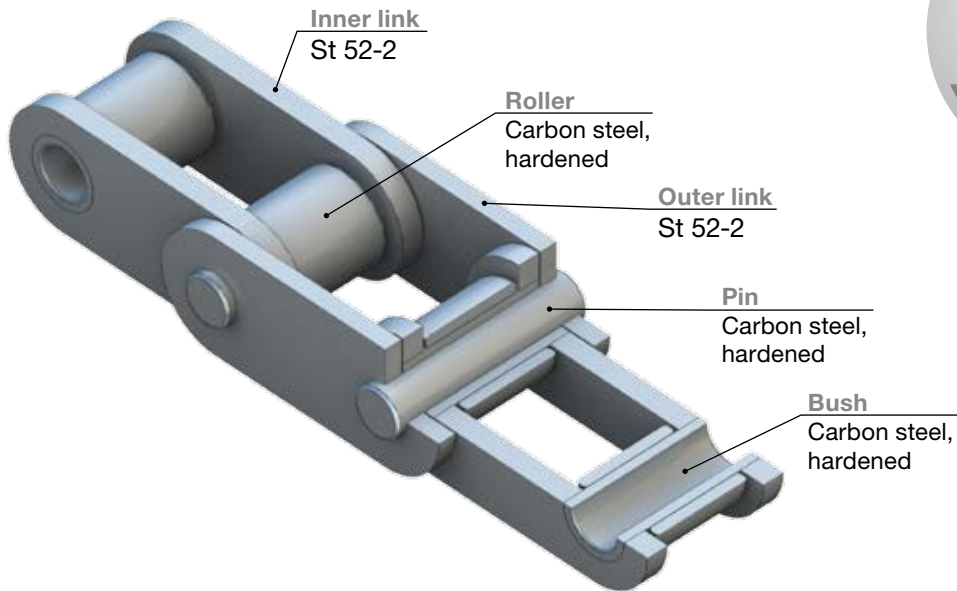
Conveyor chains M and MT with solid pin



Conveyor chains M and MT with solid pin

Approved Performance from Rexnord.

Fulfils ISO
quality requirements



APPLICATIONS

- Wood processing machinery, mining, automotive
- Conveyor belts

CHARACTERISTICS

- Flatted bushes/pins - anti-twist (except M40)
- Seamless bushes
- Shot-peened outer and inner links
- Established brand name
- Fulfils ISO quality requirements
- Rexnord guarantees delivery of the required performance

ADVANTAGES

- Good cost-benefit ratio
- Good availability
- Robust quality

LUBRICATION

- Contains no heavy metals
- Fulfils REACH requirements

M with solid pin DIN 8167 / ISO 1977 - Type B without rollers

Approved Performance from Rexnord.



Proven performance

- Fulfils ISO quality requirements
- Rexnord guarantees the achievement of performance requirements
- Optimum choice for light and medium duty applications



Purchasing policy

- Suppliers must comply with local environmental laws
- Suppliers are obliged to comply with Rexnord's ethical policy and internal guidelines
- Suppliers must consider local environmental policy



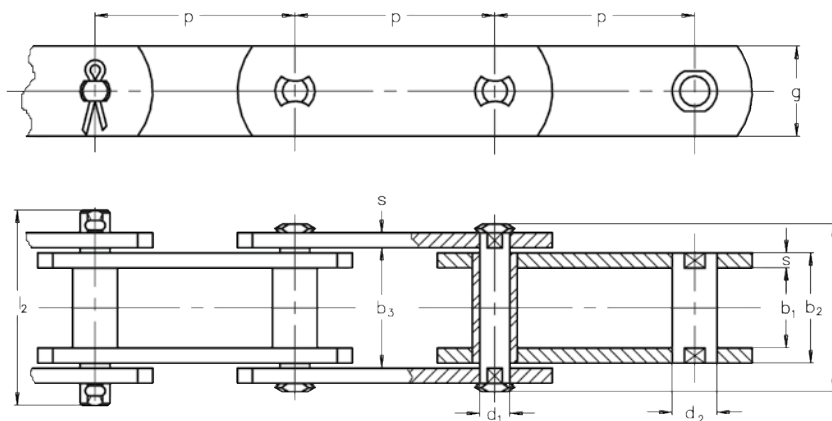
Economical

- Good cost-benefit ratio
- Good availability



M with solid pin DIN 8167 / ISO 1977 - Type B without rollers

DIN	F _B (kN)	F _W (kN)	A (cm ²)	p (N/cm ²)	p								b ₁	b ₂	b ₃	d ₁	d ₂	x	l ₁	l ₂	g	s
	min	min			min	max	min	max	min	max	min	max	min	max	min	max	min	max	min	max	min	max
M 40	40	5.7	2.38	2400	63	80	100	125	160	200	250	20	28.0	28.3	8.5	12.5	14.0	41	63	25	3.5	
M 56	56	8.0	3.3	2430	63	80	100*	125*	160	200	250	24	33.0	33.3	10.0	15	17.5	48	72	30	4.0	
M 80	80	11.4	4.68	2440	80	100*	125*	160	200	250	315	28	39.0	39.4	12.0	18	20.5	58	86	35	5.0	
M 112	112	16.0	6.75	2370	80	100*	125*	160	200	250	315	32	45.0	45.5	15.0	21	23.0	66	101	40	6.0	
M 160	160	22.9	9.36	2440	100	125*	160*	200	250	315	400	37	52.0	52.5	18.0	25	26.5	76	117	50	7.0	
M 224	224	32.0	12.6	2540	125	160	200	250	315	400	500	43	60.0	60.6	21.0	30	31.0	88	134	60	8.0	
M 315	315	45.0	17.5	2570	160	200	250	315	400	500	630	48	70.0	70.7	25.0	36	34.0	102	154	70	10.0	
M 450	450	64.3	24.6	2620	-	200	250	315	400	500	630	56	82.0	82.2	30.0	42	37.0	120	185	80	12.0	



M with solid pin DIN 8167 / ISO 1977 – Type S with small rollers

Approved Performance from Rexnord.



Proven performance

- Fulfills ISO quality requirements
- Rexnord guarantees the achievement of performance requirements
- Optimum choice for light and medium duty applications



Purchasing policy

- Suppliers must comply with local environmental laws
- Suppliers are obliged to comply with Rexnord's ethical policy and internal guidelines
- Suppliers must consider local environmental policy

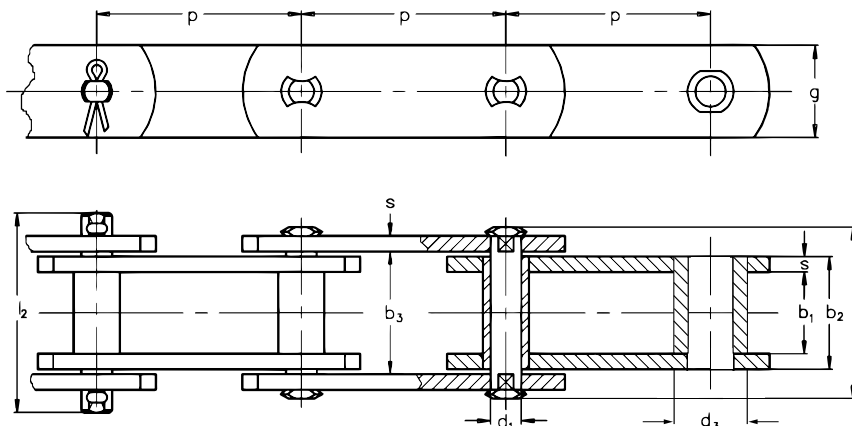


Economical

- Good cost-benefit ratio
- Good availability

M with solid pin DIN 8167 / ISO 1977 – Type S with small rollers

DIN	F _B (kN)	F _W (kN)	A (cm ²)	p (N/cm ²)	p							b ₁	b ₂	b ₃	d ₁	d ₃	x	l ₁	l ₂	g	s
	min	min			min	max	min	max	min	max	min	max	max	max							
M 40	40	5.7	2.38	2400	63	80	100	125	160	200	250	20	28.0	28.3	8.5	18	14.0	41	63	25	3.5
M 56	56	8.0	3.3	2430	63	80	100*	125*	160	200	250	24	33.0	33.3	10.0	21	17.5	48	72	30	4.0
M 80	80	11.4	4.68	2440	80	100*	125*	160	200	250	315	28	39.0	39.4	12.0	25	20.5	58	86	35	5.0
M 112	112	16.0	6.75	2370	80	100*	125*	160	200	250	315	32	45.0	45.5	15.0	30	23.0	66	101	40	6.0
M 160	160	22.9	9.36	2440	100	125*	160*	200	250	315	400	37	52.0	52.5	18.0	36	26.5	76	117	50	7.0
M 224	224	32.0	12.6	2540	125	160	200	250	315	400	500	43	60.0	60.6	21.0	42	31.0	88	134	60	8.0
M 315	315	45.0	17.5	2570	160	200	250	315	400	500	630	48	70.0	70.7	25.0	50	34.0	102	154	70	10.0
M 450	450	64.3	24.6	2620	-	200	250	315	400	500	630	56	82.0	82.2	30.0	60	37.0	120	185	80	12.0



M with solid pin DIN 8167 / ISO 1977 - Type P with idler roller

Approved Performance from Rexnord.



Proven performance

- Fulfils ISO quality requirements
- Rexnord guarantees the achievement of performance requirements
- Optimum choice for light and medium duty applications



Purchasing policy

- Suppliers must comply with local environmental laws
- Suppliers are obliged to comply with Rexnord's ethical policy and internal guidelines
- Suppliers must consider local environmental policy



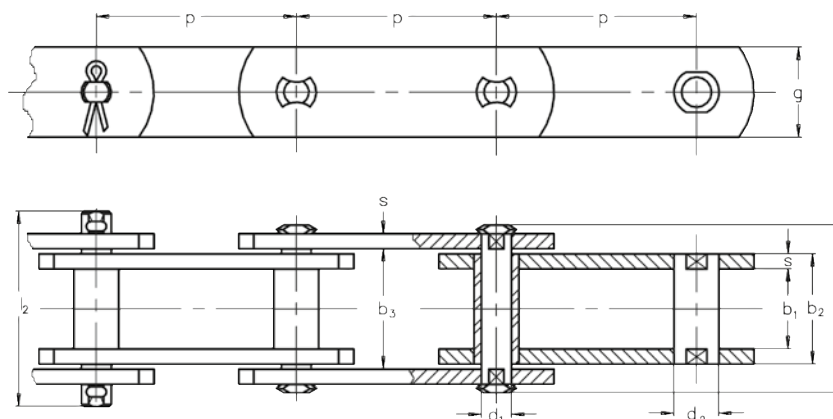
Economical

- Good cost-benefit ratio
- Good availability



M with solid pin DIN 8167 / ISO 1977 - Type P with idler roller

DIN	F _B (kN)	F _W (kN)	A (cm ²)	p (N/cm ²)	p							b ₁	b ₂	b ₃	d ₁	d ₄	x	l ₁	l ₂	g	s
	min	min			min	max	min	max	min	max	min	max	max	max	max	max	max	max	max	max	max
M 40	40	5.7	2.38	2400	63	80	100	125	160	200	250	20	28.0	28.3	8.5	36	14.0	41	63	25	3.5
M 56	56	8.0	3.3	2430	63	80	100*	125*	160	200	250	24	33.0	33.3	10.0	42	17.5	48	72	30	4.0
M 80	80	11.4	4.68	2440	80	100*	125*	160	200	250	315	28	39.0	39.4	12.0	50	20.5	58	86	35	5.0
M 112	112	16.0	6.75	2370	80	100*	125*	160	200	250	315	32	45.0	45.5	15.0	60	23.0	66	101	40	6.0
M 160	160	22.9	9.36	2440	100	125*	160*	200	250	315	400	37	52.0	52.5	18.0	70	26.5	76	117	50	7.0
M 224	224	32.0	12.6	2540	125	160	200	250	315	400	500	43	60.0	60.6	21.0	85	31.0	88	134	60	8.0
M 315	315	45.0	17.5	2570	160	200	250	315	400	500	630	48	70.0	70.7	25.0	100	34.0	102	154	70	10.0
M 450	450	64.3	24.6	2620	-	200	250	315	400	500	630	56	82.0	82.2	30.0	120	37.0	120	185	80	12.0



M with solid pin DIN 8167/ ISO 1977 - Type F with flanged idler rollers

Approved Performance from Rexnord.



Proven performance

- Fulfills ISO quality requirements
- Rexnord guarantees the achievement of performance requirements
- Optimum choice for light and medium duty applications



Purchasing policy

- Suppliers must comply with local environmental laws
- Suppliers are obliged to comply with Rexnord's ethical policy and internal guidelines
- Suppliers must consider local environmental policy

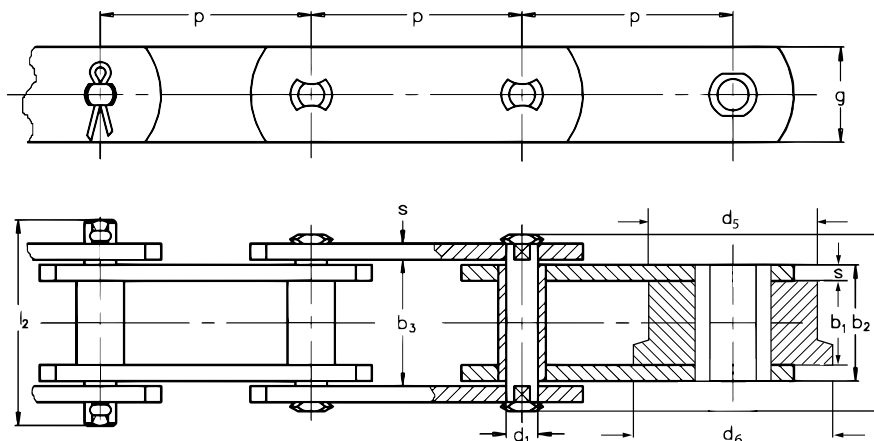


Economical

- Good cost-benefit ratio
- Good availability

M with solid pin DIN 8167/ ISO 1977 - Type F with flanged idler rollers

DIN	F _B (kN)	F _W (kN)	A	p	p								b ₁	b ₂	b ₃	d ₁	d ₅	d ₆	x	l ₁	l ₂	g	s
	min	min	(cm ²)	(N/cm ²)								min	max	min	max					max	max		
M 40	40	5.7	2.38	2400	63	80	100	125	160	200	250	20	28.0	28.3	8.5	36	42	14.0	41	63	25	3.5	
M 56	56	8.0	3.3	2430	63	80	100*	125*	160	200	250	24	33.0	33.3	10.0	42	50	17.5	48	72	30	4.0	
M 80	80	11.4	4.68	2440	80	100*	125*	160	200	250	315	28	39.0	39.4	12.0	50	60	20.5	58	86	35	5.0	
M 112	112	16.0	6.75	2370	80	100*	125*	160	200	250	315	32	45.0	45.5	15.0	60	70	23.0	66	101	40	6.0	
M 160	160	22.9	9.36	2440	100	125*	160*	200	250	315	400	37	52.0	52.5	18.0	70	85	26.5	76	117	50	7.0	
M 224	224	32.0	12.6	2540	125	160	200	250	315	400	500	43	60.0	60.6	21.0	85	100	31.0	88	134	60	8.0	
M 315	315	45.0	17.5	2570	160	200	250	315	400	500	630	48	70.0	70.7	25.0	100	120	34.0	102	154	70	10.0	
M 450	450	64.3	24.6	2620	-	200	250	315	400	500	630	56	82.0	82.2	30.0	120	140	37.0	120	185	80	12.0	



MT with solid pin DIN 8167 / ISO 1977

Approved Performance from Rexnord.



Proven performance

- Fulfils ISO quality requirements
- Rexnord guarantees the achievement of performance requirements
- Optimum choice for light and medium duty applications



Purchasing policy

- Suppliers must comply with local environmental laws
- Suppliers are obliged to comply with Rexnord's ethical policy and internal guidelines
- Suppliers must consider local environmental policy



Economical

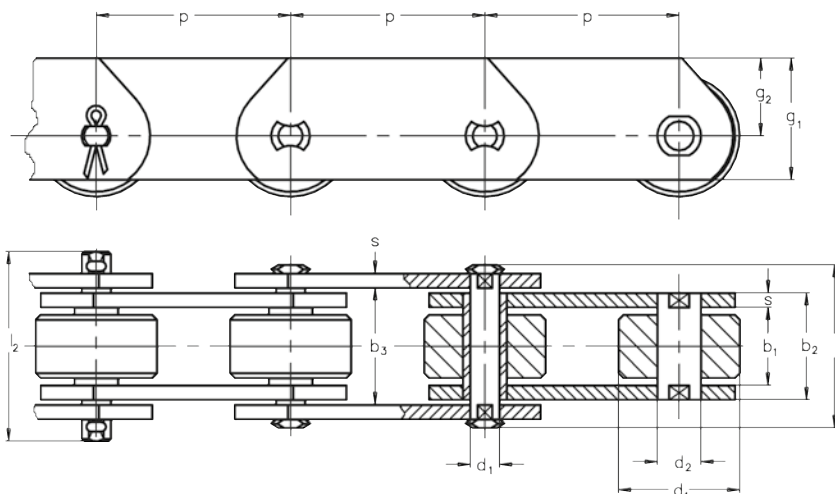
- Good cost-benefit ratio
- Good availability



MT with solid pin DIN 8167 / ISO 1977

DIN ISO	F_B (kN)	F_W (kN)	A (cm ²)	p (N/cm ²)	p							b1 min	b2 max	b3 min	d1 max	d2 max	d4	g1	g2	s	l1 max	l2 max
	min	min			min	max	max	max	max	max	max											
MT 40	40	5.7	2.38	2400	63	80	100	125	160	200	250	20	28.0	28.3	8.5	12.5	36	35	22.5	3.5	41	63
MT 56	56	8.0	3.3	2430	63	80	100	125	160	200	250	24	33.0	33.3	10	15.0	42	45	30.0	4.0	48	72
MT 80	80	11.4	4.68	2440	80	100	125	160	200	250	315	28	39.0	39.4	12	18.0	50	50	32.5	5.0	58	86
MT 112	112	16.0	6.75	2370	80	100	125	160	200	250	315	32	45.0	45.5	15	21.0	60	60	40.0	6.0	66	101
MT 160	160	22.9	9.36	2440	100	125	160	200	250	315	400	37	52.0	52.5	18	25.0	70	70	45.0	7.0	76	117
MT 224	224	32.0	12.6	2540	125	160	200	250	315	400	500	43	60.0	60.6	21	30.0	85	90	60.0	8.0	88	134
MT 315	315	45.0	17.5	2570	160	200	250	315	400	500	630	48	70.0	70.7	25	36.0	100	100	65.0	10.0	102	154
MT 450	450	64.3	24.6	2620	200	250	315	400	500	630	-	56	82	82.8	30.0	42.0	120	120	80.0	12.0	120	185

F_B : breaking strength; F_W : permitted weight



MC with hollow pin DIN 8167 / ISO 1977 - Type B without rollers

Approved Performance from Rexnord.



Proven performance

- Fulfils ISO quality requirements
- Rexnord guarantees the achievement of performance requirements
- Optimum choice for light and medium duty applications



Purchasing policy

- Suppliers must comply with local environmental laws
- Suppliers are obliged to comply with Rexnord's ethical policy and internal guidelines
- Suppliers must consider local environmental policy



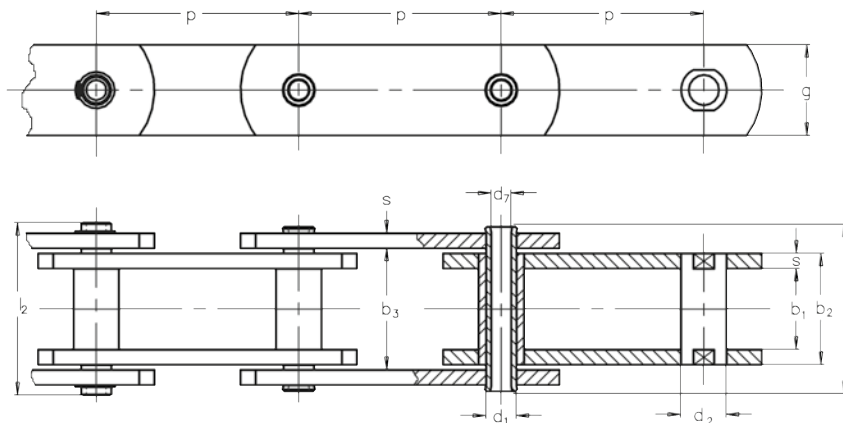
Economical

- Good cost-benefit ratio
- Good availability

MC with hollow pin DIN 8167 / ISO 1977 - Type B without rollers

DIN ISO	FB (kN)	FW (kN)	A	p								b ₁	b ₂	b ₃	d ₁	d ₂	x	l ₁	l ₂	g	s
	min	min	(cm ²)										min	max	min	max			max	max	
MC 56	56	7.47	5.11	63	80	100	125	160	200	250	24	33.0	33.3	15.5	21	17.5	48	54	35	4	
MC 112	112	14.93	9.90	80	100	125	160	200	250	315	32	45.0	45.5	22	29	23.0	67	73	50	6	
MC 224	224	29.87	18.60	125	160	200	250	315	400	500	43	60.0	60.6	31	41	31.0	90	96	70	8.0	

F_B: breaking strength



MC with hollow pin DIN 8167 / ISO 1977 - Type S with small rollers

Approved Performance from Rexnord.



Proven performance

- Fulfils ISO quality requirements
- Rexnord guarantees the achievement of performance requirements
- Optimum choice for light and medium duty applications



Purchasing policy

- Suppliers must comply with local environmental laws
- Suppliers are obliged to comply with Rexnord's ethical policy and internal guidelines
- Suppliers must consider local environmental policy



Economical

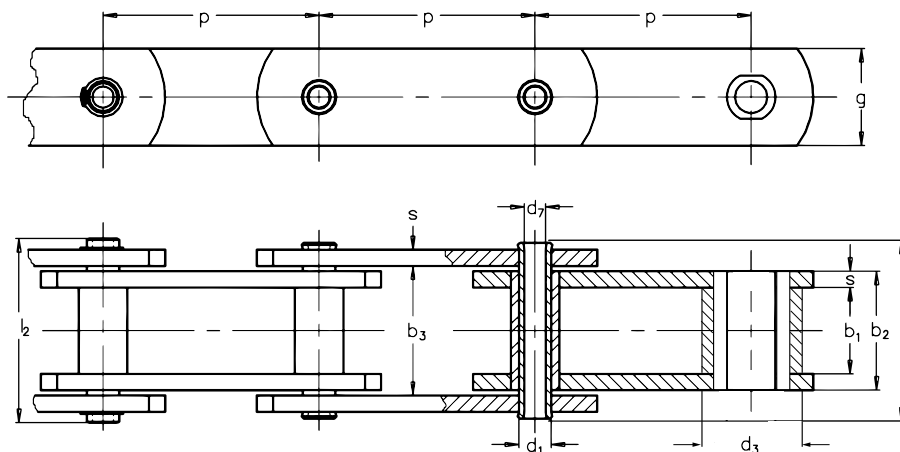
- Good cost-benefit ratio
- Good availability



MC with hollow pin DIN 8167 / ISO 1977 - Type S with small rollers

DIN ISO	FB (kN)	Fw (kN)	A (cm ²)	p								b1	b2	b3	d1	d3	x	l1	l2	g	s
	min	min		min	max	min	max	min	max	min	max										
MC 56	56	7.47	5.11	63	80	100	125	160	200	250	24	33.0	33.3	15.5	30	17.5	48	54	35	4	
MC 112	112	14.93	9.90	80	100	125	160	200	250	315	32	45.0	45.5	22	42	23.0	67	73	50	6	
MC 224	224	29.87	18.60	125	160	200	250	315	400	500	43	60.0	60.6	31	60	31.0	90	96	70	8.0	

F_B: breaking strength



MC with hollow pin DIN 8167 / ISO 1977 - Type P with idler rollers

Approved Performance from Rexnord.



Proven performance

- Fulfils ISO quality requirements
- Rexnord guarantees the achievement of performance requirements
- Optimum choice for light and medium duty applications



Purchasing policy

- Suppliers must comply with local environmental laws
- Suppliers are obliged to comply with Rexnord's ethical policy and internal guidelines
- Suppliers must consider local environmental policy



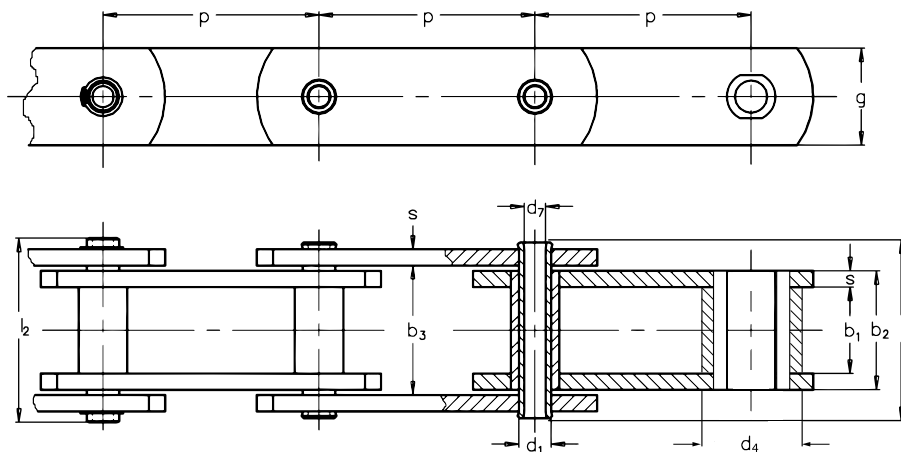
Economical

- Good cost-benefit ratio
- Good availability

MC with hollow pin DIN 8167 / ISO 1977 - Type P with idler rollers

DIN ISO	F _B (kN)	F _W (kN)	A	p								b ₁	b ₂	b ₃	d ₁	d ₄	x	l ₁	l ₂	g	s	
	min	min	(cm ²)									min	min	max	min			max	max			
MC 56	56	7.47	5.11	63	80	100	125	160	200	250	24	33.0	33.3	15.5	50	17.5	48	54	35	4		
MC 112	112	14.93	9.90	80	100	125	160	200	250	315	32	45.0	45.5	22	70	23.0	67	73	50	6		
MC 224	224	29.87	18.60	125	160	200	250	315	400	500	43	60.0	60.6	31	100	31.0	90	96	70	8.0		

F_B: breaking strength



M with K attachments

Approved Performance from Rexnord.



Proven performance

- Fulfils ISO quality requirements
- Rexnord guarantees the achievement of performance requirements
- Optimum choice for light and medium duty applications



Purchasing policy

- Suppliers must comply with local environmental laws
- Suppliers are obliged to comply with Rexnord's ethical policy and internal guidelines
- Suppliers must consider local environmental policy



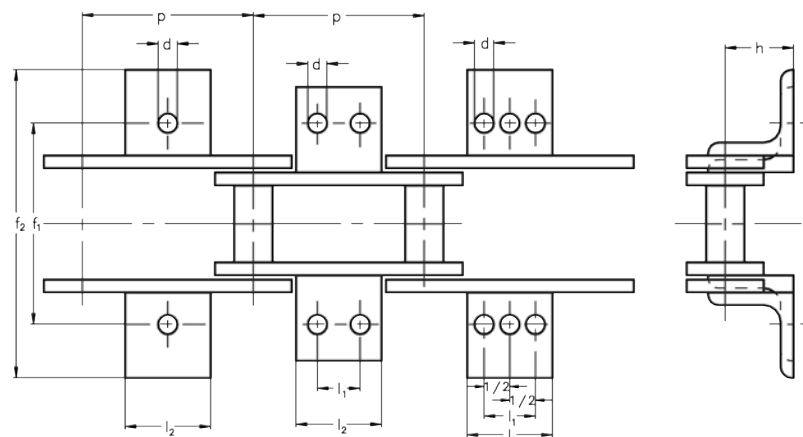
Economical

- Good cost-benefit ratio
- Good availability



M with K attachments

DIN		63	80	100	125	160	200	250	315	400	500	630	d	f ₁	f ₂ max	h	Attachment
M 40	I1	-	20	40	65	65	65	65	-	-	-	-	9	70	112	25	30 x 30 x 3
	I2	20	40	60	85	85	85	85	-	-	-	-					
M 56	I1	-	-	25	50	85	85	85	-	-	-	-	11	88	140	30	40 x 40 x 4
	I2	22	22	50	75	110	110	110	-	-	-	-					
M 80	I1	-	-	-	50	85	125	125	125	-	-	-	11	96	160	35	40 x 40 x 4
	I2	22	22	50	75	110	110	110	-	-	-	-					
M 112	I1	-	-	-	35	65	100	100	100	-	-	-	14.0	110	184	40	50 x 50 x 6
	I2	-	28	28	65	95	130	130	130	-	-	-					
M 160	I1	-	-	-	-	50	85	145	145	145	-	-	14.0	124	200	45	50 x 50 x 6
	I2	-	-	30	30	80	115	175	175	175	-	-					
M 224	I1	-	-	-	-	-	65	125	190	190	190	-	18.0	140	228	55	60 x 60 x 8
	I2	-	-	-	35	35	100	160	225	225	225	-					
M 315	I1	-	-	-	-	-	50	100	155	155	155	155	18.0	160	250	65	70 x 70 x 8
	I2	-	-	-	-	35	85	135	190	190	190	190					
M 450	I1	-	-	-	-	-	-	85	155	240	240	240	18.0	180	280	75	70 x 70 x 8
	I2	-	-	-	-	-	40	125	195	280	280	280					



M with front brackets

Approved Performance from Rexnord.



Proven performance

- Fulfils ISO quality requirements
- Rexnord guarantees the achievement of performance requirements
- Optimum choice for light and medium duty applications



Purchasing policy

- Suppliers must comply with local environmental laws
- Suppliers are obliged to comply with Rexnord's ethical policy and internal guidelines
- Suppliers must consider local environmental policy

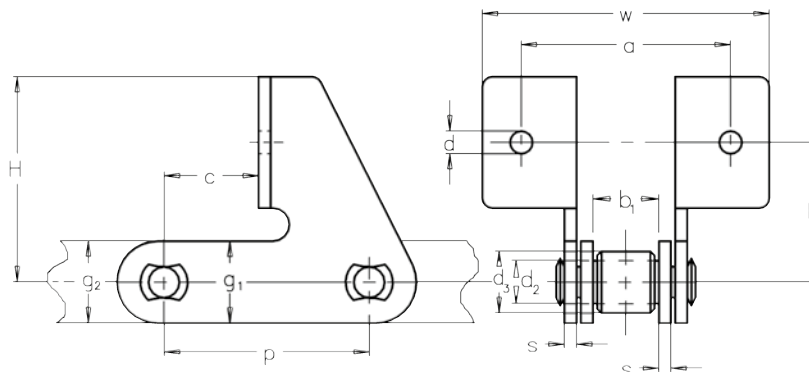


Economical

- Good cost-benefit ratio
- Good availability

M with front brackets

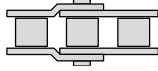
DIN ISO	p	b1	d2	d3	a	w	h	H	c	d	s	g1	g2
M 80	100	28	18	25	94	132	68	100	46	11.0	5	40	35
M 112	100	32	21	30	100	138	68	100	45	11.0	6	40	40
M 112	100	32	21	-	91	138	78	100	45	11.0	6	40	40





Overview Rexnord roller chains

Roller Chains



REXNORD
RexPro
RexPro lubrication
improved wear resistance
high fatigue resistance

- Outstanding protection against corrosion and wear
- Unique protection against chain joint stiffness
- Extremely eco-friendly

REXNORD
RexAthletic
good loading capacity
extended lubrication intervals

- Durable and low-maintenance
- Longer servicing intervals
- High loading capacity

REXNORD
RexCarbon
no lubrication
low noise

- Maintenance-free
- Low noise
- Eco-friendly

REXNORD
RexPlus
excellent corrosion resistance
high reliability

- Excellent resistance to rust and acids
- Highly reliable
- Fulfills hygiene requirements
- NSF H1 certification

REXNORD
RexPlusCarbon
no lubrication
excellent corrosion resistance

- Combination of RexPlus and RexCarbon
- Excellent resistance to rust and acids
- Maintenance-free
- NSF H1 certification

REXNORD
RexHiPro
good corrosion resistance
excellent loading capacity

- Outstanding corrosion resistance
- Long service life
- High loading capacity

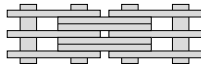
Link-Belt
a brand of
REXNORD

- The optimum choice for light and medium duty
- Good cost-benefit ratio
- High availability

REXNORD
RexProX
RexPro lubrication
improved wear resistance
high fatigue resistance

- Extremely high loading capacity
- Long service life
- Outstanding protection against corrosion and wear

Leaf Chains



REXNORD
RexPro
RexPro lubrication
improved wear resistance
high fatigue resistance

- Outstanding protection against corrosion and wear
- Unique protection against chain joint stiffness
- Extremely eco-friendly

REXNORD
RexHiPro
good corrosion resistance
excellent loading capacity

- Outstanding corrosion resistance
- Long service life
- High loading capacity

REXNORD
RexAthletic
good loading capacity
extended lubrication intervals

- Durable and low-maintenance
- Longer servicing intervals
- High loading capacity

REXDL
a brand of
REXNORD

- The optimum choice for light and medium duty
- Good cost-benefit ratio
- Good availability