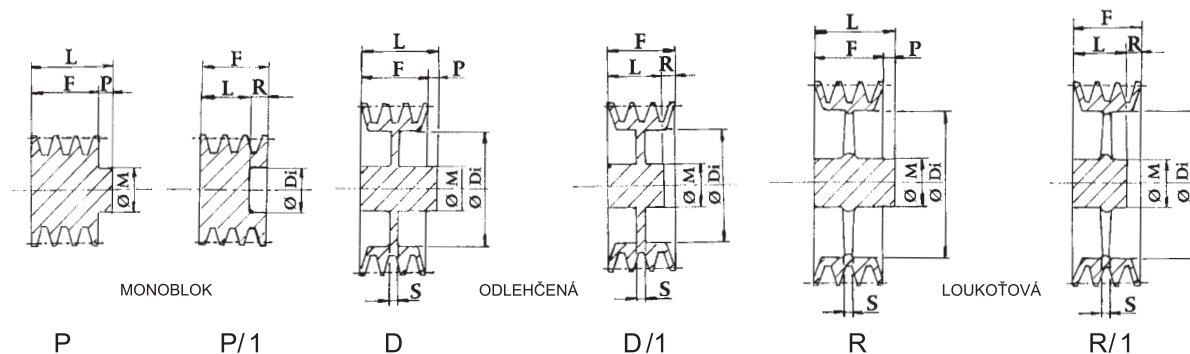


KONSTRUKČNÍ TVARY

| Výpočtový Ø Dp | Počet drážek | Tvar | Ø M | L | Ø Di | S min | F | P | R |
|----------------|--------------|------|-----|------|------|-------|------|-----|------|
| 100 | 1 | P | 60 | 50 | | | 34 | 16 | |
| 120 | 1 | P | 65 | 50 | | | 34 | 16 | |
| | 2 | P | 65 | 65 | | | 59,5 | 5,5 | |
| 140 | 1 | P | 70 | 55 | | | 34 | 21 | |
| | 2 | P | | 59,5 | | | 59,5 | | |
| | 3 | P/1 | | 65 | 83 | | 85 | | 20 |
| | 4 | P/1 | | 80 | 83 | | 111 | | 30,5 |
| 150 | 1 | P | 70 | 50 | | | 34 | 16 | |
| | 2 | P | 72 | 59,5 | | | 59,5 | | |
| | 3 | P/1 | | 65 | 93 | | 85 | | 20 |
| | 4 | P/1 | | 80 | 93 | | 111 | | 30,5 |
| | 5 | P/1 | | 96 | 93 | | 136 | | 40 |
| 160 | 1 | P | 72 | 50 | | | 34 | 16 | |
| | 2 | P | | 59,5 | | | 59,5 | | |
| | 3 | P/1 | | 65 | 103 | | 85 | | 20 |
| | 4 | P/1 | | 80 | 103 | | 111 | | 30,5 |
| | 5 | P/1 | | 96 | 103 | | 136 | | 40 |
| | 6 | P/1 | | 96 | 103 | | 162 | | 65,5 |
| 180 | 1 | D | 76 | 50 | 123 | 16 | 34 | 16 | |
| | 2 | D | 80 | 60 | 123 | 16 | 59,5 | 0,5 | |
| | 3 | D/1 | 82 | 65 | 123 | 18 | 85 | | 20 |
| | 4 | D/1 | 82 | 80 | 123 | 20 | 111 | | 30,5 |
| | 5 | D/1 | 82 | 96 | 123 | 20 | 136 | | 40 |
| | 6 | D/1 | 82 | 96 | 123 | 25 | 162 | | 65,5 |
| 200 | 1 | D | 76 | 50 | 143 | 16 | 34 | 16 | |
| | 2 | D | 80 | 60 | 143 | 16 | 59,5 | 0,5 | |
| | 3 | D/1 | 86 | 65 | 143 | 18 | 85 | | 20 |
| | 4 | D/1 | 90 | 90 | 143 | 25 | 111 | | 20,5 |
| | 5 | D/1 | 90 | 100 | 143 | 25 | 136 | | 36 |
| | 6 | D/1 | 90 | 100 | 143 | 25 | 162 | | 61,5 |
| 225 | 1 | D | 86 | 50 | 168 | 18 | 34 | 16 | |
| | 2 | D | 88 | 60 | 168 | 18 | 59,5 | 0,5 | |
| | 3 | D/1 | 90 | 70 | 168 | 25 | 85 | | 15 |
| | 4 | D/1 | 90 | 90 | 168 | 25 | 111 | | 20,5 |
| | 5 | D/1 | 90 | 100 | 168 | 25 | 136 | | 36 |
| | 6 | D/1 | 90 | 100 | 168 | 25 | 162 | | 61,5 |

| Výpočtový Ø Dp | Počet drážek | Tvar | Ø M | L | Ø Di | S min | F | P | R |
|----------------|--------------|------|-----|-----|------|-------|------|-----|------|
| 250 | 1 | D | 86 | 50 | 193 | 18 | 34 | 16 | |
| | 2 | D | 92 | 60 | 193 | 18 | 59,5 | 0,5 | |
| | 3 | D/1 | 92 | 70 | 193 | 25 | 85 | | 15 |
| | 4 | D/1 | 100 | 90 | 193 | 25 | 111 | | 20,5 |
| | 5 | D/1 | 102 | 100 | 193 | 25 | 136 | | 36 |
| | 6 | D/1 | 102 | 100 | 193 | 25 | 162 | | 61,5 |
| 280 | 1 | D | 86 | 50 | 223 | 18 | 34 | 16 | |
| | 2 | D | 92 | 60 | 223 | 18 | 59,5 | 0,5 | |
| | 3 | D/1 | 92 | 70 | 223 | 25 | 85 | | 15 |
| | 4 | D/1 | 100 | 90 | 223 | 25 | 111 | | 10,5 |
| | 5 | D/1 | 102 | 100 | 223 | 25 | 136 | | 36 |
| | 6 | D/1 | 102 | 100 | 223 | 25 | 162 | | 61,5 |
| 300 | 1 | D | 86 | 50 | 243 | 20 | 34 | 16 | |
| | 2 | D | 92 | 60 | 243 | 20 | 59,5 | 0,5 | |
| | 3 | D/1 | 92 | 70 | 243 | 25 | 85 | | 15 |
| | 4 | D/1 | 100 | 90 | 243 | 25 | 111 | | 20,5 |
| | 5 | D/1 | 104 | 100 | 243 | 25 | 136 | | 36 |
| | 6 | D/1 | 104 | 100 | 243 | 25 | 162 | | 61,5 |
| 315 | 1 | R | 92 | 50 | 258 | 20 | 34 | 16 | |
| | 2 | R | 92 | 60 | 258 | 20 | 59,5 | 0,5 | |
| | 3 | R/1 | 92 | 70 | 258 | 25 | 85 | | 15 |
| | 4 | R/1 | 110 | 90 | 258 | 25 | 111 | | 20,5 |
| | 5 | R/1 | 112 | 100 | 258 | 25 | 136 | | 36 |
| | 6 | R/1 | 112 | 100 | 258 | 30 | 162 | | 61,5 |
| 340 | 1 | R | 100 | 50 | 283 | 25 | 34 | 16 | |
| | 2 | R | 100 | 60 | 283 | 25 | 59,5 | 0,5 | |
| | 3 | R/1 | 100 | 70 | 283 | 25 | 85 | | 15 |
| | 4 | R/1 | 114 | 90 | 283 | 30 | 111 | | 20,5 |
| | 5 | R/1 | 114 | 100 | 283 | 30 | 136 | | 36 |
| | 6 | R/1 | 114 | 100 | 283 | 30 | 162 | | 61,5 |
| 355 | 1 | R | 110 | 50 | 298 | 25 | 34 | 16 | |
| | 2 | R | 110 | 60 | 298 | 25 | 59,5 | 0,5 | |
| | 3 | R/1 | 110 | 70 | 298 | 25 | 85 | | 15 |
| | 4 | R/1 | 114 | 90 | 298 | 30 | 111 | | 20,5 |
| | 5 | R/1 | 114 | 100 | 298 | 30 | 136 | | 36 |
| | 6 | R/1 | 114 | 100 | 298 | 30 | 162 | | 61,5 |



KONSTRUKČNÍ TVARY

| Výpočtový Ø Dp | Počet drážek | Tvar | Ø M | L | Ø Di | S min | F | P | R |
|----------------|--------------|------|-----|-----|------|-------|------|------|------|
| 380 | 1 | R | 110 | 50 | 323 | 25 | 34 | 16 | |
| | 2 | R | 110 | 60 | 323 | 25 | 59,5 | 0,5 | |
| | 3 | R/1 | 110 | 70 | 323 | 25 | 85 | | 15 |
| | 4 | R/1 | 114 | 90 | 323 | 30 | 111 | | 20,5 |
| | 5 | R/1 | 114 | 100 | 323 | 30 | 136 | | 36 |
| | 6 | R/1 | 114 | 100 | 323 | 30 | 162 | | 61,5 |
| 400 | 1 | R | 110 | 60 | 343 | 25 | 34 | 26 | |
| | 2 | R | 110 | 70 | 343 | 25 | 59,5 | 10,5 | |
| | 3 | R | 114 | 90 | 343 | 30 | 85 | 5 | |
| | 4 | R/1 | 120 | 90 | 343 | 30 | 111 | | 20,5 |
| | 5 | R/1 | 120 | 100 | 343 | 35 | 136 | | 36 |
| | 6 | R/1 | 120 | 100 | 343 | 35 | 162 | | 61,5 |
| 450 | 1 | R | 110 | 60 | 393 | 25 | 34 | 26 | |
| | 2 | R | 110 | 70 | 393 | 25 | 59,5 | 10,5 | |
| | 3 | R | 114 | 90 | 393 | 30 | 85 | 5 | |
| | 4 | R/1 | 120 | 90 | 393 | 30 | 111 | | 20,5 |
| | 5 | R/1 | 120 | 100 | 393 | 35 | 136 | | 36 |
| | 6 | R/1 | 120 | 100 | 393 | 35 | 162 | | 61,5 |
| 500 | 1 | R | 114 | 60 | 443 | 25 | 34 | 26 | |
| | 2 | R | 114 | 70 | 443 | 25 | 59,5 | 10,5 | |
| | 3 | R | 114 | 90 | 443 | 30 | 85 | 5 | |
| | 4 | R/1 | 126 | 100 | 443 | 30 | 111 | | 10,5 |
| | 5 | R/1 | 126 | 100 | 443 | 35 | 136 | | 36 |
| | 6 | R/1 | 126 | 100 | 443 | 35 | 162 | | 61,5 |
| 560 | 1 | R | 114 | 60 | 503 | 30 | 34 | 26 | |
| | 2 | R | 114 | 70 | 503 | 30 | 59,5 | 10,5 | |
| | 3 | R | 114 | 90 | 503 | 30 | 85 | 5 | |
| | 4 | R/1 | 130 | 100 | 503 | 32 | 111 | | 10,5 |
| | 5 | R/1 | 130 | 100 | 503 | 35 | 136 | | 36 |
| | 6 | R/1 | 130 | 100 | 503 | 35 | 162 | | 61,5 |

| Výpočtový Ø Dp | Počet drážek | Tvar | Ø M | L | Ø Di | S min | F | P | R |
|----------------|--------------|------|-----|-----|------|-------|------|------|------|
| 600 | 1 | R | 114 | 60 | 543 | 30 | 34 | 26 | |
| | 2 | R | 114 | 70 | 543 | 30 | 59,5 | 10,5 | |
| | 3 | R | 114 | 90 | 543 | 30 | 85 | 5 | |
| | 4 | R/1 | 130 | 100 | 543 | 32 | 111 | | 10,5 |
| | 5 | R/1 | 130 | 100 | 543 | 35 | 136 | | 36 |
| | 6 | R/1 | 130 | 100 | 543 | 35 | 162 | | 61,5 |
| 630 | 1 | R | 114 | 60 | 573 | 30 | 34 | 26 | |
| | 2 | R | 114 | 70 | 573 | 30 | 59,5 | 10,5 | |
| | 3 | R | 114 | 90 | 573 | 30 | 85 | 5 | |
| | 4 | R/1 | 130 | 100 | 573 | 32 | 111 | | 10,5 |
| | 5 | R/1 | 130 | 100 | 573 | 35 | 136 | | 36 |
| | 6 | R/1 | 130 | 100 | 573 | 35 | 162 | | 61,5 |
| | | | | | | | | | |
| | | | | | | | | | |
| | | | | | | | | | |