



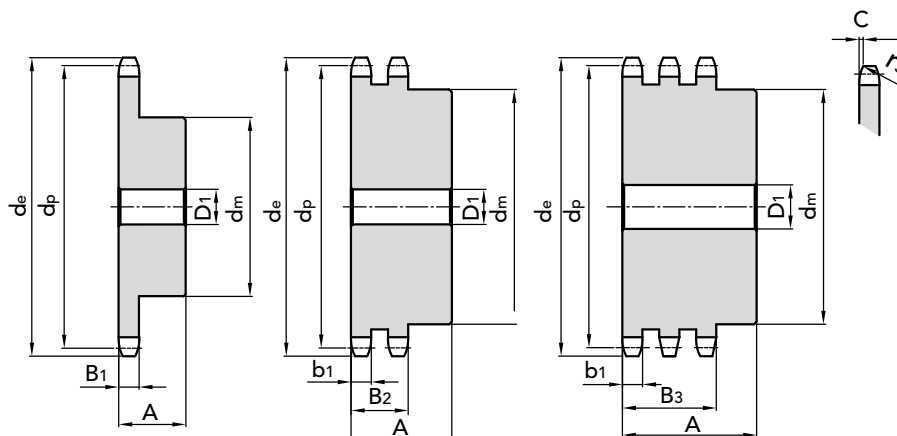
1" 1/2 x 1"

CHAIN SPROCKETS

Tooth radius r_s	38	mm
Radius width \check{C}	4	mm
Sprockets tooth width B_1	24,1	mm
Sprockets tooth width b_1	23,6	mm
Sprockets tooth width B_2	72	mm
Sprockets tooth width B_3	120,3	mm

CHAIN

Pitch	38,1	mm
Inner width	25,4	mm
Roller \varnothing	25,4	mm



SIMPLES

DOUBLE

TRIPLE

Z	d _e	d _p	PART NUMBER	d _m	D ₁	A	kg.	PART NUMBER	d _m	D ₁	A	kg.	PART NUMBER	d _m	D ₁	A	kg.	
8	115,00	99,55	10138008	58	20	45	1,38	10238008	58	25	95	2,70	10338008	58	25	140	4,00	
9	126,40	111,40	10138009	70	20	45	1,90	10238009	70	25	95	3,79	10338009	70	25	140	5,62	
10	138,00	123,29	10138010	80	20	45	2,47	10238010	80	25	95	5,01	10338010	80	25	140	7,45	
11	150,00	135,21	10138011	90	25	50	3,27	10238011	90	25	100	6,62	10338011	90	25	150	9,73	
12	162,00	147,22	10138012	102	25	50	4,09	10238012	102	25	100	8,28	10338012	102	25	150	12,24	
13	174,20	159,18	10138013	114	25	50	5,00	10238013	114	25	100	10,13	10338013	114	25	150	15,02	
14	186,20	171,22	10138014	128	25	50	6,09	10238014	128	25	100	12,24	10338014	128	25	150	18,16	
15	198,20	183,26	10138015	140	25	50	6,84	10238015	140	25	100	14,08	10338015	140	25	150	21,09	
16	210,30	195,30	10138016	140	25	55	8,20	10238016	140	25	100	15,88	10338016	140	25	150	24,25	
17	222,30	207,34	10138017	140	25	55	8,87	10238017	150	25	100	17,80	10338017	150	25	150	27,42	
18	234,30	219,42	10138018	140	25	55	9,59	10238018	160	25	100	21,08	10338018	160	25	150	32,12	
19	246,50	231,49	10138019	140	25	55	10,36	10238019	160	25	100	23,26	10338019	160	25	150	35,74	
20	258,60	243,57	10138020	140	25	55	11,16	10238020	160	25	100	25,57	10338020	160	25	150	39,57	
21	270,60	255,65	10138021	150	25	60	13,35	10238021	160	25	100	28,01	10338021	160	30	150	42,98	
22	282,70	267,73	10138022	150	25	60	14,24	10238022	160	25	100	30,59	10338022	160	30	150	47,25	
23	294,80	279,80	10138023	150	25	60	15,18	10238023	160	25	100	33,29	10338023	160	30	150	51,74	
24	306,80	291,88	10138024	150	25	60	16,16	10238024	160	25	100	33,13	10338024	160	30	150	56,44	
25	319,00	304,00	10138025	150	25	60	17,19	10238025	160	25	100	39,09	10338025	160	30	150	61,37	
26	331,00	316,08	10138026	160	30	60	18,25	10238026	160	30	100	42,19	10338026	160	30	150	66,52	
27	343,20	328,19	10138027	160	30	60	19,37	10238027	160	30	100	45,41	10338027	160	30	150	71,88	
28	355,20	340,27	10138028	160	30	60	20,52	10238028	160	30	100	48,77	10338028	160	30	150	77,46	
29	367,30	352,38	10138029	160	30	60	21,72	10238029	160	30	100	52,26						
30	379,50	364,50	10138030	160	30	60	22,97	10238030	160	30	100	55,88	10338030	160	40	150	89,28	
31	391,60	376,62	10138031	160	30	60	21,25	10238031	170	30	100	59,19	10338031	170	40	150	101,97	
32	403,70	388,69	10138032	160	30	60	25,59	10238032	170	30	100	63,07	10338032	170	40	150	122,64	
33	415,80	400,81	10138033	160	30	60	26,96	10238033	170	30	100	67,08	10338033	170	40	150	145,28	
34	427,80	412,93	10138034	160	30	60	28,38	10238034	170	30	100	71,21	10338034	170	40	150	161,46	
35	440,00	425,04	10138035	160	30	60	29,84	10238035	170	30	100	75,49	10338035	200	40	150	209,06	
36	452,00	437,16	10138036	160	30	60	31,34	10238036	170	30	100	79,89	10338036	200	40	150	258,81	
37	464,20	449,27	10138037	160	30	60	32,90	10238037	170	30	100	84,43	10338037	220	40	150	337,62	
38	476,20	461,39	10138038	160	30	60	34,49	10238038	170	30	100	89,09	10338038	250	40	150	607,76	
39																		
40	500,60	485,62	10138040	160	30	60	37,51	10238040	170	30	100	98,98						
42	524,70	509,85	10138042	160	30	90	48,52											
45	561,20	546,20	10138045	160	30	90	54,08	10238045	180	40	100	132,81						
48	597,40	582,55	10138048	160	30	90	60,04											
50	621,70	606,78	10138050	160	30	90	64,24	10238050	180	40	100	162,65						
57	706,50	691,63	10138057	160	30	100	80,28	10238057	200	40	110	209,91						
60	742,80	727,97	10138060	160	40	100	87,82											
76	936,90	921,98	10138076	170	40	100	140,54	10238076	220	40	120	373,88						

MATERIAL **C 45 UNI 7845**
FOR MONOLITHIC CHAIN SPROCKETS

MATERIAL **FE WITH HUB**

CAD drawings available on our site
www.chiaravalli.com

Quantity, availability and prices
on B2B Chiaravalli





PLATEWHEELS 1" 1/2 x 1"
for roller chains in compliance
with DIN 8187 - ISO/R 606

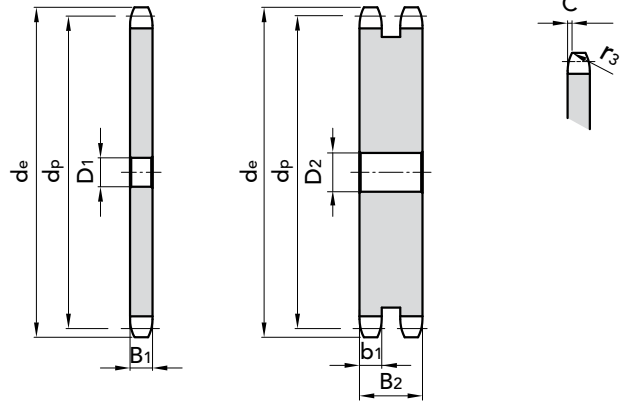
1" 1/2 x 1"

PLATEWHEEL

Tooth radius r_3	38	mm
Radius width \bar{C}	4	mm
Plate tooth width B_1	24,1	mm
Plate tooth width b_1	23,6	mm
Plate tooth width B_2	72	mm
Plate tooth width B_3	120,3	mm

CHAIN

Pitch	38,1	mm
Inner width	25,4	mm
Roller \varnothing	25,4	mm



SIMPLE

Z	D ₁	d _e	d _p	P. NUMBER	kg.
8	20	115,0	99,55	20138008	1,00
9	20	126,4	111,40	20138009	1,32
10	20	138,0	123,29	20138010	1,69
11	20	150,0	135,21	20138011	2,07
12	20	162,0	147,22	20138012	2,53
13	20	174,2	159,18	20138013	3,03
14	20	186,2	171,22	20138014	3,57
15	20	198,2	183,26	20138015	4,16
16	25	210,3	195,30	20138016	4,79
17	25	222,3	207,34	20138017	5,47
18	25	234,3	219,42	20138018	6,19
19	25	246,5	231,49	20138019	6,95
20	25	258,6	243,57	20138020	7,76
21	25	270,6	255,65	20138021	8,57
22	25	282,7	267,73	20138022	9,46
23	25	294,8	279,80	20138023	10,40
24	25	306,8	291,88	20138024	11,38
25	25	319,0	304,00	20138025	12,41
26	30	331,0	316,08	20138026	13,47
27	30	343,2	328,19	20138027	14,59
28	30	355,2	340,27	20138028	15,74
29	30	367,3	352,38	20138029	16,94
30	30	379,5	364,50	20138030	18,91
31	30	391,6	376,62	20138031	19,47
32	30	403,7	388,69	20138032	20,80
33	30	415,8	400,81	20138033	22,18
34	30	427,8	412,93	20138034	23,60
35	30	440,0	425,04	20138035	25,06
36	30	452,0	437,16	20138036	26,60
37	30	464,2	449,27	20138037	28,12
38	30	476,2	461,39	20138038	29,71
39					
40	30	500,6	485,62	20138040	33,03
41	30	512,6	497,74	20138041	34,75
42	30	524,7	509,85	20138042	36,52
43	30	536,8	521,97	20138043	37,00

DOUBLE

Z	D ₁	d _e	d _p	P. NUMBER	kg.
8	25	115,00	99,55	20238008	2,31
9	25	126,40	111,40	20238009	3,18
10	25	138,00	123,29	20238010	4,19
11	25	150,00	135,21	20238011	5,33
12	25	162,00	147,22	20238012	6,59
13	25	174,20	159,18	20238013	7,99
14	25	186,20	171,22	20238014	9,52
15	25	198,20	183,26	20238015	11,18
16	25	210,30	195,30	20238016	12,85
17	25	222,30	207,34	20238017	14,77
18	25	234,30	219,42	20238018	16,82
19	25	246,50	231,49	20238019	19,00
20	25	258,60	243,57	20238020	21,31
21	25	270,60	255,65	20238021	23,75
22	25	282,70	267,73	20238022	26,33
23	25	294,80	279,80	20238023	29,03
24	25	306,80	291,88	20238024	31,86
25	25	319,00	304,00	20238025	34,83
26	30	331,00	316,08	20238026	37,93
27	30	343,20	328,19	20238027	41,15
28	30	355,20	340,27	20238028	44,51
29	30	367,30	352,38	20238029	48,00
30	30	379,50	364,50	20238030	51,61
31	30	391,60	376,62	20238031	55,05
32	30	403,70	388,69	20238032	58,93
33	30	415,80	400,81	20238033	62,94
34	30	427,80	412,93	20238034	67,08
35	30	440,00	425,04	20238035	71,35
36	30	452,00	437,16	20238036	75,75
37	30	464,20	449,27	20238037	80,28
38	30	476,20	461,39	20238038	84,95
39					
40	30	500,60	485,62	20238040	94,66
41					
42					
43					

MATERIAL **FE / C45**

Ask for specific needs.

CAD drawings available on our site
www.chiaravalli.com

Quantity, availability and prices
on B2B Chiaravalli





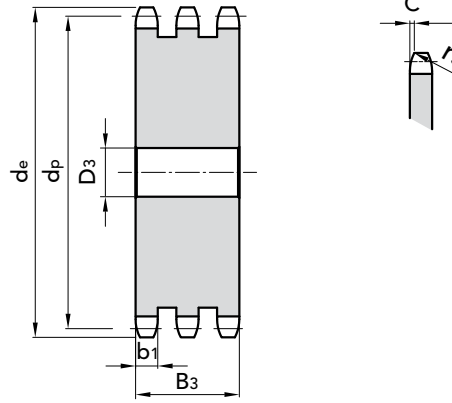
1" 1/2 x 1"

PLATEWHEEL

Tooth radius r_3	38	mm
Radius width C	4	mm
Plate tooth width B_1	24,1	mm
Plate tooth width b_1	23,6	mm
Plate tooth width B_2	72	mm
Plate tooth width B_3	120,3	mm

CHAIN

Pitch	38,1	mm
Inner width	25,4	mm
Roller \varnothing	25,4	mm



PLATEWHEELS 1" 1/2 x 1"
for roller chains in compliance
with DIN 8187 - ISO/R 606

TRIPLE

Z	D ₁	d _e	d _p	P. NUMBER	kg.	Z	D ₁	d _e	d _p	P. NUMBER	kg.
8	25	115,0	99,55	20338008	3,67	44					
9	25	126,4	111,40	20338009	5,10	45	40	561,2	546,20	20338045	201,37
10	25	138,0	123,29	20338010	6,75	46					
11	25	150,0	135,21	20338011	8,42	47					
12	25	162,0	147,22	20338012	10,50	48	40	597,4	582,55	20338048	230,56
13	25	174,2	159,18	20338013	12,81	49					
14	25	186,2	171,22	20338014	15,33	50	40	621,7	606,78	20338050	251,11
15	25	198,2	183,26	20338015	18,08	51					
16	25	210,3	195,30	20338016	21,04	52					
17	25	222,3	207,34	20338017	24,22	53					
18	25	234,3	219,42	20338018	27,61	54					
19	25	246,5	231,49	20338019	31,23	55	40	682,3	667,40	20338055	265,0
20	25	258,6	243,57	20338020	35,06	56					
21	30	270,6	255,65	20338021	38,60	57	40	706,5	691,63	20338057	329,92
22	30	282,7	267,73	20338022	42,87	58					
23	30	294,8	279,80	20338023	47,36	59					
24	30	306,8	291,88	20338024	52,07	60	40	742,8	727,97	20338060	366,97
25	30	319,0	304,00	20338025	56,99	62					
26	30	331,0	316,08	20338026	62,14	64					
27	30	343,2	328,19	20338027	67,50	65					
28	30	355,2	340,27	20338028	73,08	66					
29						68					
30	40	379,5	364,50	20338030	84,90	70					
31						72					
32	40	403,7	388,69	20338032	97,59	75					
33						76	40	936,9	921,98	20338076	597,76
34						80					
35	40	440,0	425,04	20338035	118,26	85					
36						95					
37											
38	40	476,2	416,39	20338038	140,90						
39											
40	40	500,6	485,62	20338040	158,08						
41											
42											
43											

MATERIAL **FE / C45**

Ask for specific needs.

CAD drawings available on our site
www.chiaravalli.com

Quantity, availability and prices
on B2B Chiaravalli

